



A collection of highly efficient gas and electric fires and stoves

Charlton & Jenrick^{LTD}

Best of British fires, fireplaces & stoves

Introducing the Paragon full line collection from Charlton & Jenrick

For over 30 years, Charlton & Jenrick have been at the forefront of improving the technology and efficiency of 'living flame' gas & electric fires.

For homes with or without a chimney, for a traditional or modern feel, Paragon has a range of open-flame and super-efficient glass-fronted fires that will create the perfect centrepiece for your living room.

Tailor your fire to meet your needs

You can tailor your fire to your exact taste and needs, choosing from our extensive range of different frets, trims and fascias, fuel beds, and a choice of control type. Add to that hole-in-the-wall or conventional installation, you will see that with Paragon you're spoilt for choice.

A photograph of two young girls lying on a white shaggy rug. The girl on the left has long dark hair and is wearing a yellow top. The girl on the right has blonde hair and is wearing a white t-shirt, holding a white smartphone. They are both smiling and looking towards the right. The background is bright and out of focus, suggesting an indoor setting with large windows.

Introducing

Open-flame for a more welcoming warmth

Nothing is as welcoming as a 'living flame' fire, with superb and realistic fuel beds, designed to give you all the glowing warmth you need.



Hybrid technology for enhanced performance with the look of an open-flame fire.

The new hybrid technology brings high-efficiency performance combined with the appeal of a welcoming open-flame fire.



Glass-fronted for a more efficient heat

Glass window technology gives class-leading thermal efficiency, so important with today's rising gas prices.



Electric fires and stoves.

Our electric fires have been intelligently designed with versatility in mind so they are suitable for any room, whether traditional or contemporary, incorporating realistic flame effects from 3D Ecoflame™ technology which brings a comforting warmth to any home.

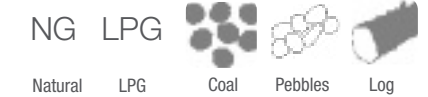


At-a-glance symbols to help you choose

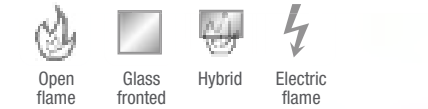
Flues – For more information on flues see pages 64-65



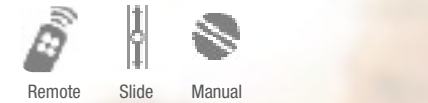
Gas Type



Fire Type



Control



Installation type

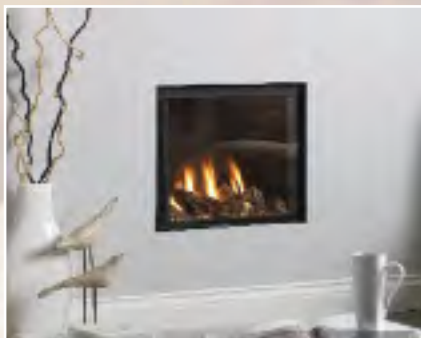
Conventional

Designed to give you the big picture and a more efficient gas fire. With a choice of realistic fuel beds available in either coal, pebbles or logs, in a wide choice of trims and frets enabling you to create your perfect fire.



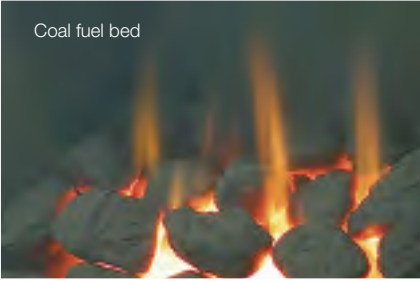
Hole-in-the-wall

Hole-in-the-wall fires can make rooms appear larger and are ideal where space is an issue; they also work well in modern luxurious surroundings where you wouldn't expect to find a traditional fireplace.



Fuel bed options

Coal fuel bed



Pebble fuel bed



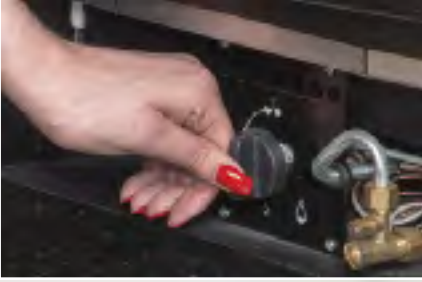
Log fuel bed



*Elegantly designed,
highly efficient
'living-flame' gas
and electric fires and
stoves for your home*

Putting you in control

Choose from manual, slide or battery-operated remote control, which, unlike many other fires, not only adjusts the flame but lights the fire as well.



Manual control



Slide control



Remote control



Options

All fires **approved to latest efficiency standards** for UK inset gas fires.



Here at Charlton and Jenrick we constantly strive to maintain a high level of efficiency, with our most efficient fires achieving up to 87.5% efficiency.

EXAMPLE USED: P9 BF

*As part of the continual improvement programme at **Charlton & Jenrick** we take pride in innovating & developing our fires, always striving for improvements. Part of this process requires that we test all our gas fires to the current efficiency standards, ensuring our customers always receive up-to-date products.*

*All the open-flue inset fires (both open-front and glass-front) in this brochure have been independently certified to the efficiency requirements of **BS 7977-1:2009+A1 :2013** which came into force in late 2013 and included an amendment that requires all gas fires to be tested without excessive spillage on the efficiency test rig to claim an efficiency. Balanced-flue fires and direct connection open-flue fires are tested to the latest revision of **BSEN613: 2001**.*

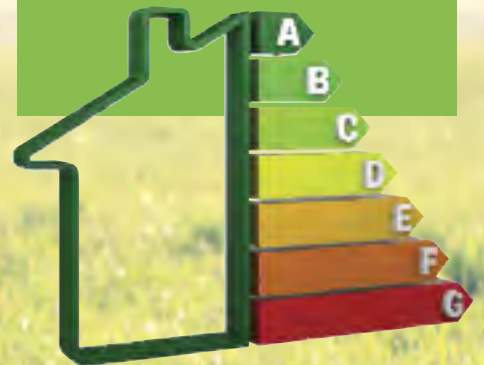
The efficiencies quoted in this brochure are the Net efficiencies which are usually advertised in marketing literature. A brief explanation is on the following spread and if you wish to see a copy of the standards we use, further details can be found at www.bsigroup.com.

Standards



SAP Rating

If you are buying a new home the SAP rating will be of importance and the efficiency of the fire can either have a positive or negative effect on the rating. If the efficiency is not certified as precisely the latest standards (detailed left) then it will be included in the calculation at the minimum level for that class of fire not the one claimed by the manufacturer.



Efficiency explained

Net Efficiency v Gross Efficiency

Net efficiency calculations assume that the energy contained in the water vapour which is formed as a product of combustion is recovered in some way, e.g. into the fabric of the building and is not lost from the flue/chimney. Gross combustion efficiency calculations assume that the energy contained in the water vapour is not recovered and is lost to the outside air. Typically the difference between the value of net combustion efficiency and the value of gross combustion efficiency for a natural gas fire is around 5 to 8 percentage points with the net value being higher than the gross value. Most gas fire manufacturers quote their efficiencies based on the net combustion efficiency, although the gross value is often stated in the installation instructions for Building Regulations purposes.

Energy efficiency for SAP ratings in your home

The latest version of The Building Regulations call upon the mentioned standard efficiency tests in relation to calculating the rating of your gas fire for SAP (Standard Assessment Procedure) purposes. If your fire has not been approved to the correct standards then an accurate calculation cannot be made and a nominal low standard figure from the SAP guide will be used instead. For more details please visit www.gov.uk/standard-assessment-procedure

When considering your purchase of a gas fire it is important to ensure you are comparing like for like. If unsure it is always worth confirming with the staff in the showroom you are using, or the manufacturer of the fire, that the appliance has been tested to the very latest version of *BS7977 i.e. including +A1: 2013*.

Tested and approved with guaranteed quality



Every Paragon fire is designed to the highest standards using only the finest materials, as well as being tested and approved to European standards, meaning we can be confident about every fire we make. So confident, in fact, each fire comes with a **5-year parts warranty.***

*Subject to terms and conditions which you will find on our website.



All Paragon gas fires are manufactured under a BS EN ISO 9001 quality system (registration number 5195), which covers all areas of product design, development, manufacture and service.



Fires

Open-Flame

2000 Plus	10
2000 Extra	12
2000 Turbo	14
2000 Low Lintel	15
Slimline 3	16
Paragon One	18
Convactor P1	20

Hybrid

P3 Hybrid Series	24
------------------	----

Glass-Fronted

Focus HE Slimline	28
Focus HE	30
Focus HE 18"	32

Focus RS Plus	34
---------------	----

Focus RS Plus 18"	36
-------------------	----

P4 Series	38
-----------	----

P8 Series	40
-----------	----

P9 Series	42
-----------	----

P9 BF Series	44
--------------	----

Paragon CF Gas Stove	46
----------------------	----

Paragon BF Gas Stove	48
----------------------	----

Electric

P4 Electric Fire	52
------------------	----

P8 Electric Fire	54
------------------	----

Paragon Electric Stove	56
------------------------	----

Cast Insert (Open-Flame)

Chirbury Cast	58
---------------	----

Options & Technical

Fret Options	60
--------------	----

Trim Options	61
--------------	----

Fascia Options	62
----------------	----

Flue types	64
------------	----

Flue compatibility	65
--------------------	----

Specs & Dimensions	66
--------------------	----

Contents

Fits most chimneys and pre-cast flues

2000 Plus

No more pre-cast flue compromises. The 2000 Plus is our most versatile fire. It is designed specifically for chimneys or pre-cast flues and is suitable for either hearth or wall mounting.

Nothing is as welcoming as a 'living flame' fire and with the 2000 Plus range you can find a model to fit every home, making a comfort statement in any room. The superb, realistic coal and pebble fire effects produce up to 4.0kW heat output at a 56.6% efficiency, giving you all the glowing warmth you need.

Spoilt for choice

But the 2000 Plus range isn't just about practical efficiency; it's also about style and design. You can choose from a large range of trim and fascia options, with five fret designs in up to four finishes and all are available with a choice of beige ribbed, plain or brick firebacks. So you can make a real style statement with a contemporary look, or go for a more traditional design.

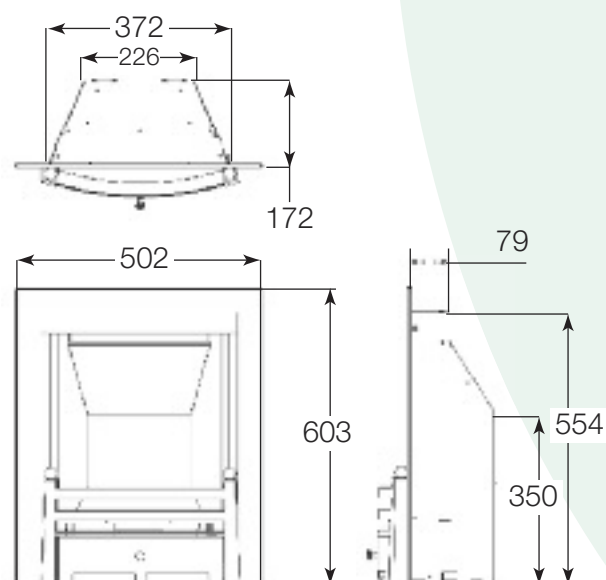
No hearth

The 2000 Plus can be installed on either a mini hearth or with a 4-sided trim if the fire is a minimum of 105mm (4¼") off the floor.

The 2000 Plus range also has the option of a retro-fitted canopy; this not only looks good but it is also designed for certain older pre-cast flues, where air flow is restricted through poor flue design, to improve the performance of the flue.



Brass trim and brass Wellington fret shown with coal fuel bed and optional canopy.



Firebed



Coal fuel bed.

Choose the style and design to suit your home

A complete range of trim, fascia and fret options is shown on pages 60-63.

Also available
as a hole-in-the-wall fire



2000 plus with brass Cast fascia and coal fuel bed shown in Burcombe Portuguese limestone fireplace from Fireline.

Features:

1

2



NG

LPG



4.0
kW



* Manual Only

Fits most chimneys and pre-cast flues

2000 Extra

A highly efficient 'living flame' gas fire with all the glowing warmth you need

An efficient open-flame gas fire suitable for hearth or wall mounting.

The 2000 Extra gives practical efficiency, coupled with design and style. Choose from a wide range of fascia and trim options to make a real style statement, either contemporary or traditional.

Designed to be super efficient, the 2000 Extra is specifically made for chimneys or pre-cast flues.

- Choice of manual, slide or battery-operated remote control complete the package
- Realistic coal fuel bed
- Includes a 5-year parts warranty, subject to terms and conditions
- Heat output of up to 4.0kW
- 63% efficiency

Choose the style and design to suit your home

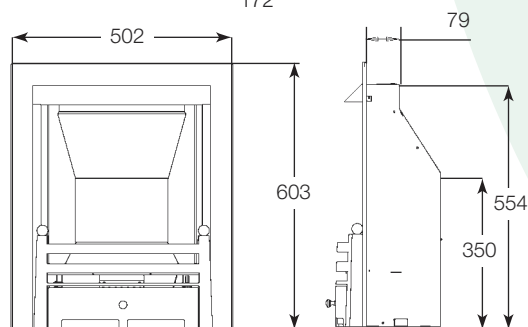
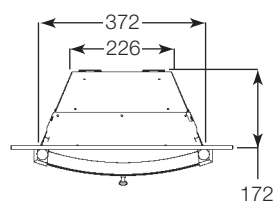
A complete range of trim and fret options is shown on page 60-63.



Coal fuel bed.



2000 Extra with chrome Cast Arch fascia and coal fuel bed.



Flue and hearth: The Paragon 2000 Extra range is designed to operate on pre-cast flues with a 75mm (3") rebated surround, or class I or II flues. The min. diameter of a circular flue is 125mm (5").

Ventilation: The Paragon 2000 Extra range does not normally require any purpose-built ventilation. Please note that within the island of Ireland, permanent ventilation must comply with the regulations currently in force.

Fire spacers: Two types of spacers are available to facilitate fitting the fire in the shallower flue openings: 20mm and 43mm.





2000 Extra with pewter Cast Square fascia and coal fuel bed. Shown in Leighton, Portuguese limestone surround.

Features:

1

2



NG



4.0 kW



Power flue – Not for Chimneys

2000 Turbo

The no chimney, no flue solution.

With a power flue, everyone can enjoy an open, living flame fire.

How a power flue works

If you do not have a chimney or flue but have a suitable outside wall, then a power flue fire can remove the fumes horizontally through the wall with the aid of a fan. This gives you the beauty of a living flame fire without glass panels.

Being at the forefront of gas fire technology has enabled Paragon to produce a world-beating range of 'Turbo' fires and with safety in mind, there's an electronic air-flow management system to ensure correct air flow is maintained.

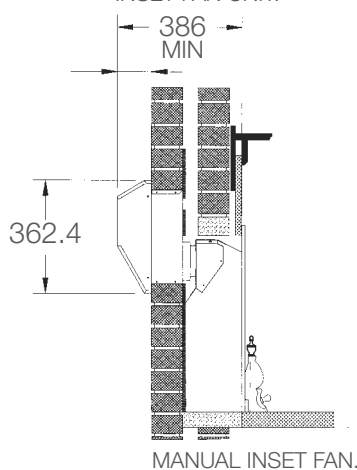
The power flue can be specified with a choice of trims

Like all the 2000 Plus range, you can choose from a wide range of frets, trims, fire backs and fuel beds to tailor the fire to your personal taste.



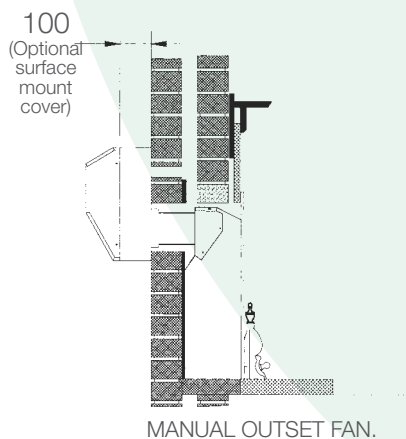
The standard fan cover.

FIRE IN CAVITY WALL.
INSET FAN UNIT.



MANUAL INSET FAN.

FIRE IN CAVITY WALL.
FAN UNIT SURFACE MOUNTED.



MANUAL OUTSET FAN.

If the appliance is set back into the cavity, the space behind, to the sides and above must be insulated i.e. Rockwool. Minimum dimension will depend upon wall thickness.

Flue and hearth: A non-combustible hearth must extend a minimum 300mm (12") in front of the fire and 150mm (6") either side with a non-combustible depth of 50mm (2"), or a mini hearth at minimum 105mm (4") off the floor with depth of 100mm (4") and width of 505mm (20"). The fan unit protrudes outside the wall of your house. If this airspace is not your own, we recommend that you obtain the owner's written permission before proceeding. Standard flue length 435mm, optional flue length 1000mm.

Ventilation: The Paragon 2000 Plus Turbo does not normally require any purpose-built ventilation. Please note that within the island of Ireland, permanent ventilation must comply with the regulations currently in force. There are special rules for timber-framed houses.

Fits most chimneys and pre-cast flues

2000 Low Lintel

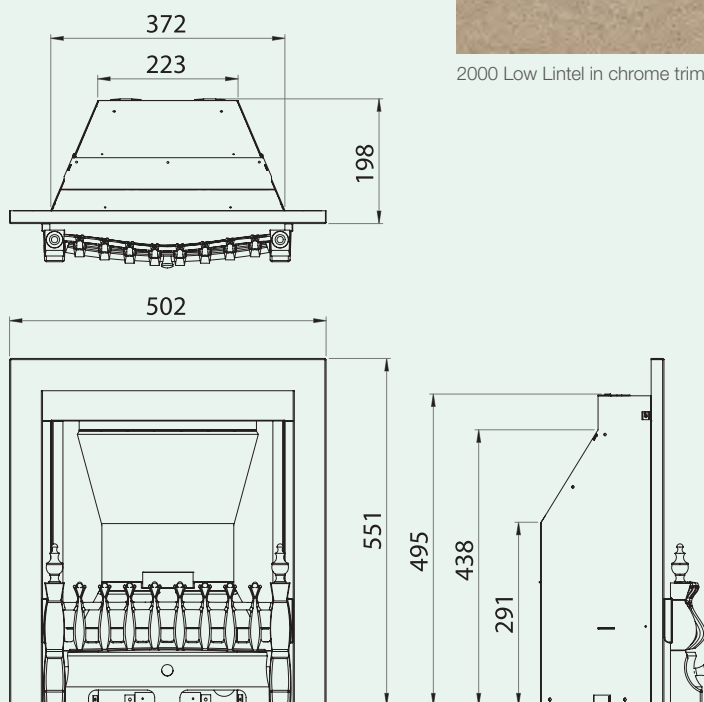
All the features and benefits of the Paragon 2000 Plus with a reduced-height fire box to fit into 20" openings.

Like the 2000 Plus, the 2000 low lintel is designed to fit most chimneys or pre-cast flues and has the added benefit of fitting under lintels that are 20 inches off the hearth.

- 3.6kW output Natural Gas fire
- 57% efficiency
- Realistic coal fuel bed
- Available in slide control
- Choice of brass or stainless steel trims
- 5-year parts guarantee, subject to terms and conditions



2000 Low Lintel in chrome trim and chrome Antique Bridge fret shown with coal fuel bed.



2000 Low Lintel in brass Gate fret and trim shown with coal fuel bed.

For specifications refer to the technical datasheet

Features:

1

2



NG



3.6 kW



15

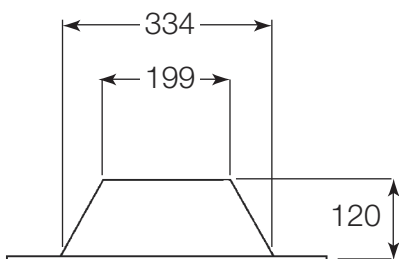
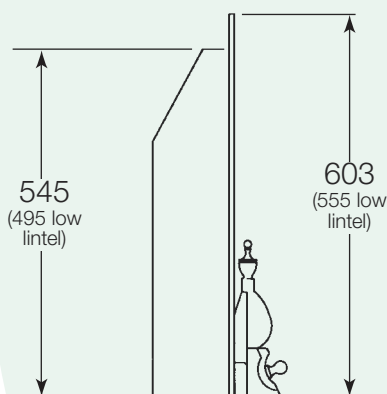
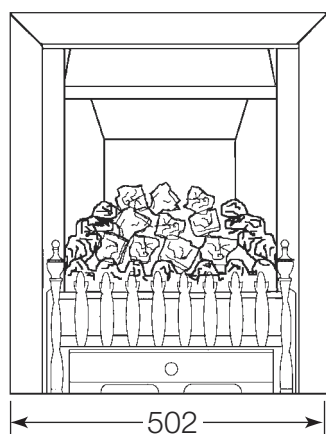
Fits most chimneys and pre-cast flues

Slimline 3

Slim, elegant and the perfect fire for virtually any chimney or flue.

With its remarkably slim profile, the Slimline 3 is especially designed for pre-cast flues but will fit almost any flue, from conventional chimneys to pre-fabricated flues.

- An advanced burner provides what is probably the most realistic flame effect and fuel bed with high-efficiency heat output
- Choice of trims and frets in four different finishes and four contemporary fascias; see pages 54 to 57 for full range
- Choice of coal or pebble fuel beds
- Choice of manual or slide controls
- A unique front of fire bed glow adds to the welcoming realism of this exquisite model
- A low lintel version is available for 20" high openings
- Fits majority of pre-cast flues on a 1" rebate
- Heat output 4.1kW
- 64.9% efficiency
- 5-year parts guarantee, subject to terms and conditions

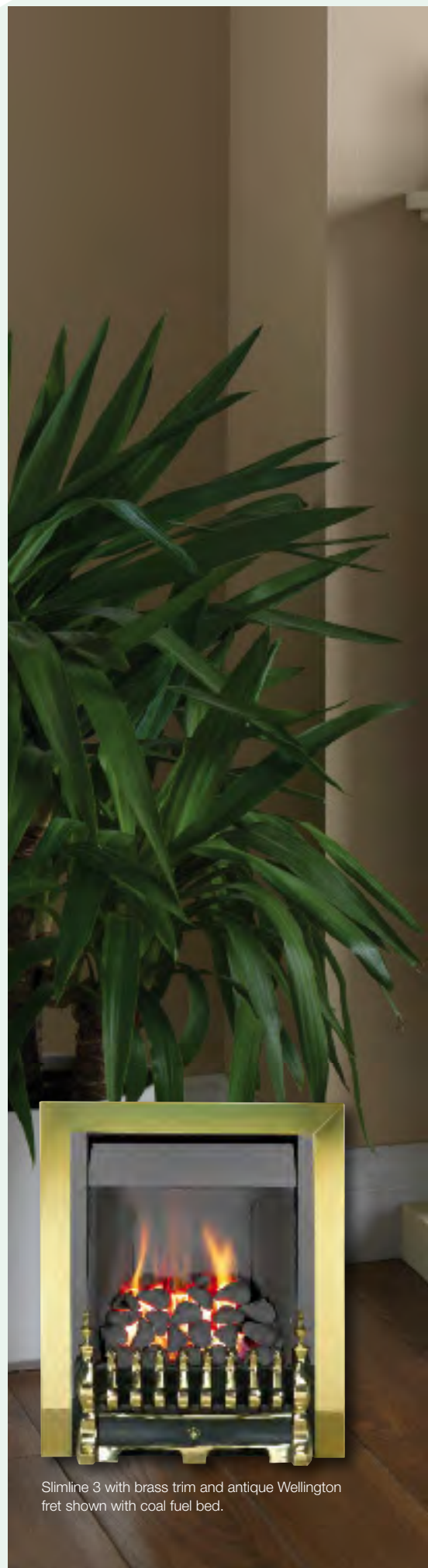


Flue and hearth: The Slimline 3 range is designed to operate on pre-cast, class I and class II flues. The minimum diameter of a circular flue is 125mm (5") with minimum effective height of 3 metres. Pre-cast flues must be constructed correctly and the appliance must pass a spillage test upon installation. A non-combustible hearth extending a minimum of 300mm (12") in front of the fire and 150mm (6") either side, with a non-combustible depth of 50mm (2") is required. All chimneys and flues should be regularly checked for debris and efficiency and be swept where appropriate.

Ventilation: The Slimline 3 range does not normally require any purpose-built ventilation. Please note that within the island of Ireland, permanent ventilation must comply with the regulations currently in force.

Low lintel model: For fireplaces with a lower than standard fire opening, a reduced-height model (20") is available to special order.

Fire spacer: spacers are available for fitting fires into shallower flue openings.



Slimline 3 with brass trim and antique Wellington fret shown with coal fuel bed.



Slimline 3 with brass Elite fascia and coal fuel bed. Shown in Aylesbury limestone mantel.

Features:

1

2



NG



4.1 kW



Fits most chimneys

Paragon One

An open-flame fire designed to fit most chimneys and class II flues

The Paragon One has been designed to give you the big picture. A huge, realistic fuel bed available with either coal or pebbles. In common with all Paragon products, a wide choice of trims and frets are available to enable you to create your perfect fire. The Paragon One is even suitable for hole-in-the-wall installation.

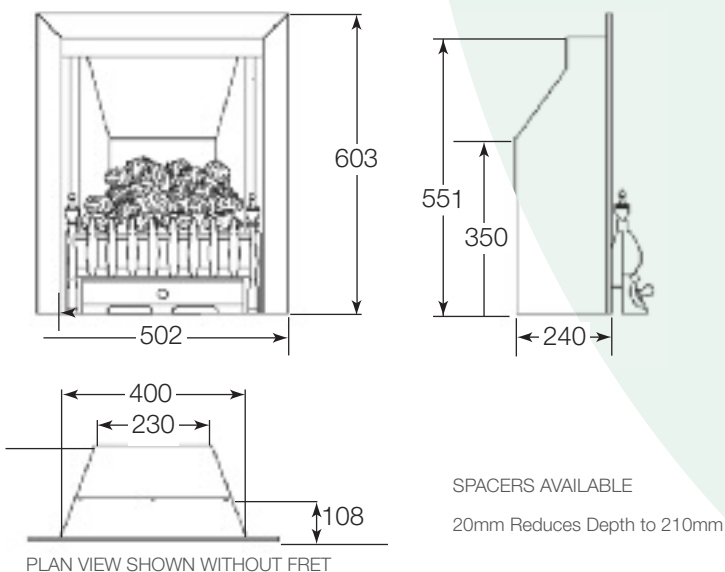


The Paragon One with a black Cast Arch fascia and coal fuel bed. Shown in the Beckford, Portuguese limestone fireplace from Fireline.

Traditional or hole-in-the-wall installation

Introducing the Paragon One, a class-leading fire for installation into chimneys & class II flues.

- Extra wide and deep fuel bed to give probably the most realistic flame effect in its class
- Heat outputs of up to 3.5kW due to its high-efficiency burner system
- 2 ultra-realistic fuel beds – choose from coal or pebble
- No canopy to mar the clean lines of this classically styled fire
- Choose a control system to suit you: manual, slide or even full sequential remote control
- Can be wall mounted without a hearth using a four-sided trim or three-sided trim on a mini hearth
- 55.5% efficiency
- 5-year parts guarantee, subject to terms and conditions



Also available
as a hole-in-the-wall fire



The Paragon One with chrome Cast Arch fascia and coal fuel bed. Shown in the Rembrandt limestone surround.

For specifications refer to the technical datasheet

Features:

1

2

NG



3.5
kW



Fits most chimneys

Convector P1

High-Efficiency Fire

The warmth and comfort of an open-flame gas fire at an affordable price.

The new Convector P1 from Paragon maintains the desirable extra-wide, deep fuel bed of its predecessor, the Paragon One, and benefits from a new firebox body. As well as the convective heat that you would expect, the fire also gives a fantastic radiant warmth. This all combined helps to give the Convector P1 a substantial output of 4.4kW and a very impressive net efficiency of 70.4%.

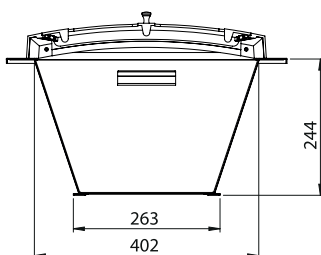
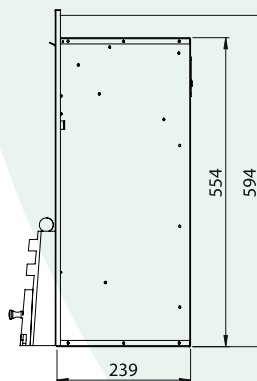
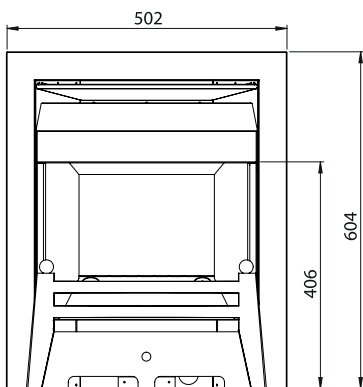
This practical efficiency, coupled with a realistic fuel bed and a whole range of trim and fret options to stylise the fire, make the new Convector P1 an ideal choice to compliment any room.



Convector P1 shown with brass Gate fret and brass trim and shown in Stokesay limestone surround from Fireline.

One of the most efficient open-flame gas fires on the market.

- Extra wide and deep fuel bed to give probably the most realistic flame effect in its class
- Heat outputs of up to 4.4kW at 70.4% efficiency due to its high-efficiency firebox body
- Ultra-realistic coal fuel bed
- Choice of a manual, slide or remote control
- Choice of fascia and trim options
- 5-year parts guarantee, subject to terms and conditions
- Radiant heat gives an impressive and realistic glow to the fuel bed
- Will operate in most flues including pre-cast subject to an appropriate fireplace. For more details please refer to the installation manual.





Convector P1 in Wave surround with satin Elite fascia.

For specifications refer to the technical datasheet

Features:

- 1
- 2
- NG
-
-
-
-
- 4.44 kW
-

Introducing our new range of **hybrid** gas fires from **Paragon**

Relax in front of the new Hybrid Series and enjoy the elegance of an open-flame fire while safe in the knowledge you are getting the performance of a glass-fronted fire

The new Hybrid technology brings high-efficiency performance combined with the appeal of a welcoming open-flame fire



Paragon P3 Hybrid Elite Trim & Gate Fret in Chrome





Contents

Fires

Hybrid

P3 Hybrid Series 24

Glass-Fronted

Focus HE Slimline 28

Focus HE 30

Focus HE 18" 32

Focus RS Plus 34

Focus RS Plus 18" 36

P4 Series 38

P8 Series 40

P9 Series 42

P9 BF Series 44

Paragon CF Gas Stove 46

Paragon BF Gas Stove 48

Electric

P4 Electric Fire 52

P8 Electric Fire 54

Paragon Electric Stove 56

Cast Insert (Open-Flame)

Chirbury Cast 58

Options & Technical

Fret Options 60

Trim Options 61

Fascia Options 62

Flue types 64

Flue compatibility 65

Specs & Dimensions 66

Fits most chimneys

P3 Hybrid Series

A new way of thinking

The Paragon P3 Hybrid Series is a natural gas, manual control, convector gas fire combining the performance of a highly-efficient glass-fronted fire with the charm of an open-flame gas fire.

Fitted as a conventional fire

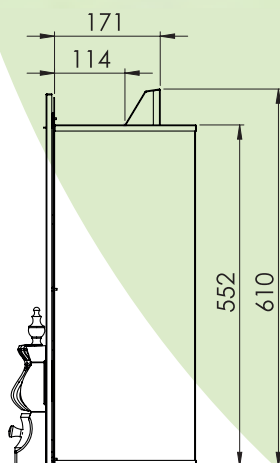
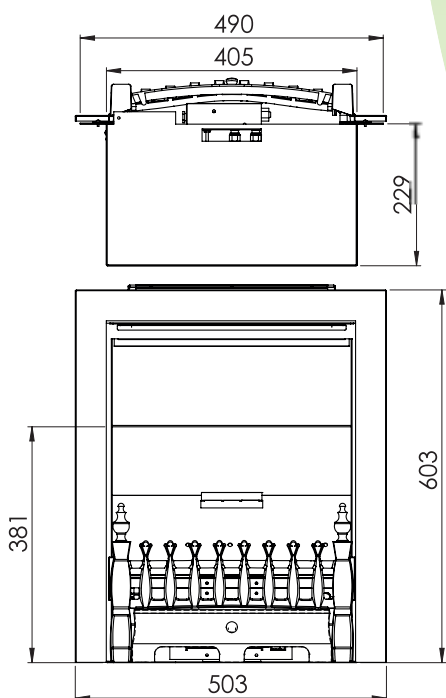
- NEW Hybrid technology gives the fire enhanced performance whilst keeping a lot of the open fire aesthetics
- 4.91kW output from 7.0kW input
- Matt black firebox liners
- Realistic coal flame effect
- 70.8% nett efficiency to current standard BS 7977-1:2009+A1 :2013 Independently tested and verified by Kiwa Gastec
- Choice of trims and frets
- Available in manual and slide control



Glass canopy



P3 Hybrid Elite trim & Gate fret in chrome



P3 Hybrid Elite trim & Gate fret in brass

P3 Hybrid with Square fascia in pewter

70.8% efficiency



Paragon P3 Hybrid with Cast Arch fascia in chrome

For specifications refer to the technical datasheet

Features:

1

2

NG



4.91 kW



The latest collection of **glass-fronted** gas fires from **Paragon**

Designed for today's homes with or without a chimney.

Choose the style to suit your home, whether traditional or contemporary, or even a hole-in-the-wall installation – all offering superb high-efficiency, class-leading performance.

Spoilt for choice

With Paragon's range of glass-fronted fires you are spoilt for choice, with options ranging from contemporary hole-in-the-wall fascias, traditional cast-iron fascias and a choice of various styles and designs featuring different finishes. Fires can be installed with or without a hearth and even in homes without a chimney.

More efficient than conventional products

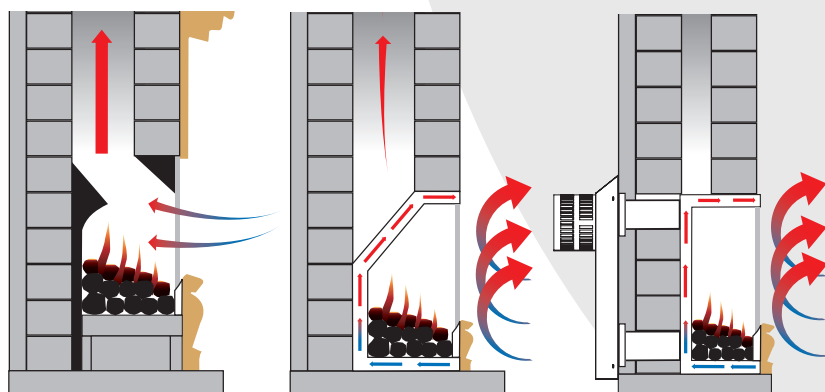
Fires working in a chimney draw warm air from the room into the chimney and it is then replaced by cold air from the outside. This air then has to be heated by the fire, reducing efficiency and increasing costs.

The Paragon Focus range has been scientifically designed to reduce this airflow to a minimum, changing the room air just once per hour against a typical open-fronted gas fire that will change room air up to 12 times per hour.

Minimum room air changes combined with superior thermal efficiency

achieved by ceramic glass-front technology give this range a new level of efficiency and performance.

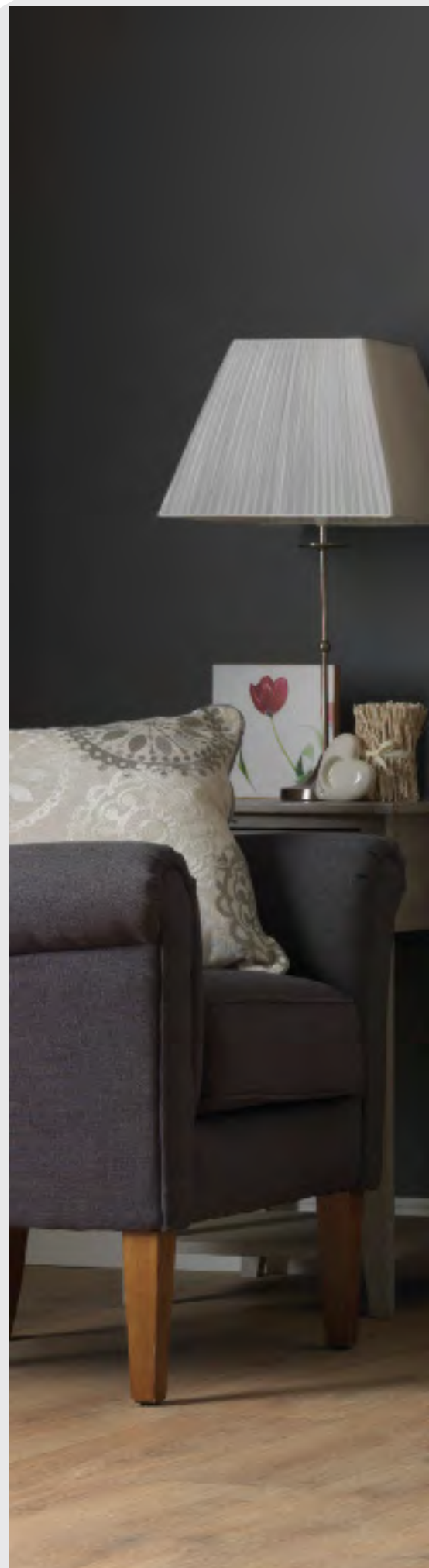
The Focus range of fires is now available for homes with or without a chimney and the fires are amongst the most efficient designs available.



Typical open-fronted gas fire changes room air up to 12 times per hour.

Paragon Focus HE changes room air just once per hour.

Paragon's Focus RS range does not produce any air changes per hour, as it is room sealed.





Contents

Fires

Glass-Fronted

Focus HE Slimline	28
Focus HE	30
Focus HE 18"	32
Focus RS Plus	34
Focus RS Plus 18"	36
P4 Series	38
P8 Series	40
P9 Series	42
P9 BF Series	44
Paragon CF Gas Stove	46
Paragon BF Gas Stove	48

Electric

P4 Electric Fire	52
P8 Electric Fire	54
Paragon Electric Stove	56

Cast Insert (Open-Flame)

Chirbury Cast	58
---------------	----

Options & Technical

Fret Options	60
Trim Options	61
Fascia Options	62
Flue types	64
Flue compatibility	65
Specs & Dimensions	66

Fits most chimneys and pre-cast flues

Focus HE Slimline

Now you can have a real fire even where space is limited

This attractive Focus Slimline fire is designed to give high efficiency in pre-cast flues and it fits easily into a 1" rebate fireplace.

- 3.0kW output
- 77% efficient ceramic glass technology
- Wide choice of trims and frets available
- Realistic coal or pebble fuel bed
- Suitable for pre-cast flues
- Slide control option to eliminate the need to bend down to light the fire*
- Excellent radiant heat output

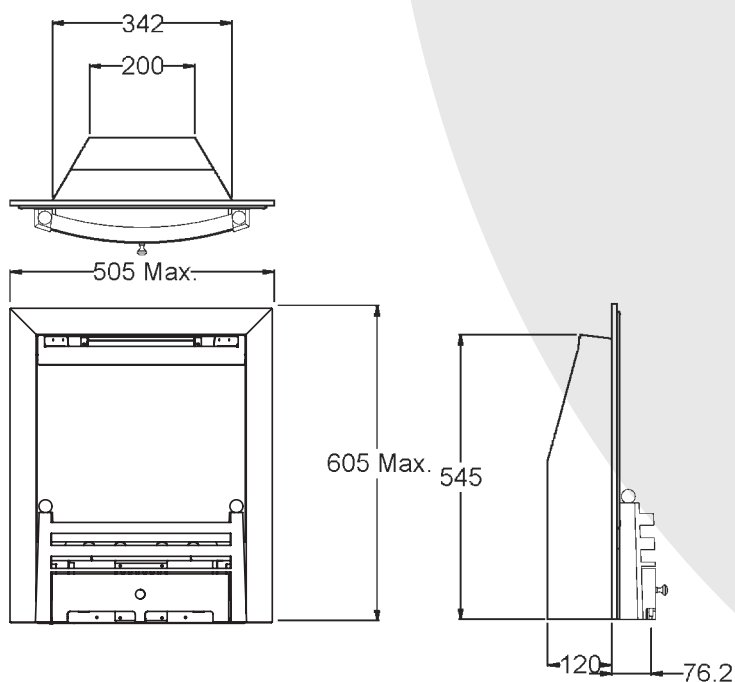
*Slide control is not available on hole-in-the-wall installations.



Focus HE Slimline brass Wellington fret and trim.



Focus HE Slimline chrome Gate fret and trim.





Focus HE Slimline in chrome Elite fascia.
Shown in Faro limestone mantel.

For specifications refer to the technical datasheet

Features:

1

2



NG



3.0 kW



Fits most chimneys

Focus HE

Highly-efficient glass-fronted gas fires

Contemporary designs offering efficient heating for homes with a chimney, to fit either hole-in-the-wall or mantel fireplaces.

Heat and efficiency

The new full-length glass window gives class-leading thermal efficiency.

- 4.4kW output
- 82% efficiency
- Ceramic glass technology

Comfort and control

- Manual control concealed behind 'ashpan' cover
- New, easy-to-operate slide lever control available to end the need to bend down to light the fire
- The ultimate luxury – full sequential remote control, the last word in ease of operation – it even lights the pilot each time to save gas

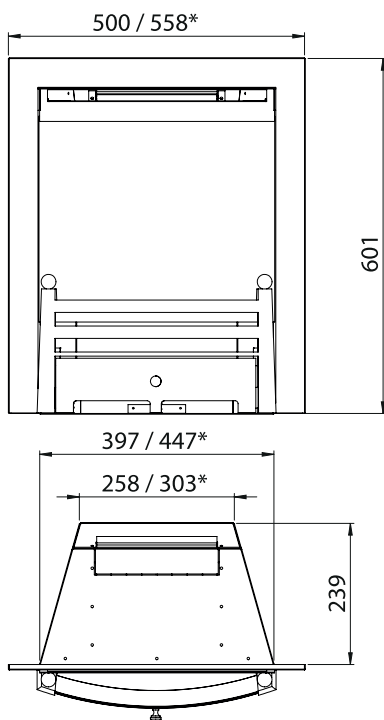
Looks

This fire can take on many different styles:

- Two fuel beds – coal or pebble
- 5 trim styles in up to 8 finishes
- 5 contemporary hearth and hole-in-the-wall fascias
- Pixelated edge glass for clean, neat styling

Flexible design

- Only requires a 4" minimum hearth depth from wall when floor mounted
- Can be mounted without a hearth with a 4-sided fascia
- Suitable for both Class I and 5" flue
- Natural gas or LPG



Focus HE black Gate and trim. Shown with pebble fuel bed.



Focus HE in brushed stainless steel Solar III fascia on hearth. Shown with pebble fuel bed.



Focus HE with brass Cast Arch fascia.
Shown in Aylesbury limestone surround.

For specifications refer to the technical datasheet

Features:

1

2

NG

LPG



4.4
kW



31

† Not available for use with the Solar IV

Fits most chimneys

Focus HE 18"

An extra-wide inset fire giving an exceptional fuel bed and flame

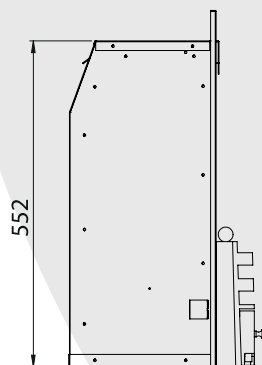
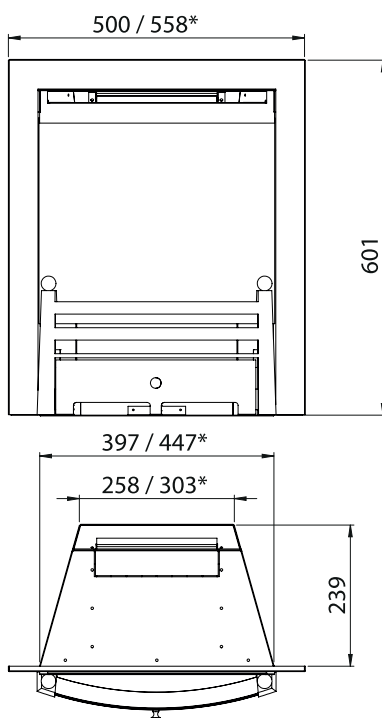
Now you can make the most of your fireplace with these stunning 18" wide traditional inset fires from Paragon.

18 inch wide fires had become a thing of the past due to the large gas input needed to get a decent flame, which also meant you needed additional ventilation in your room. The Focus HE gets around these problems with a fire that is designed to give a superb realistic flame picture from a modest 5.7kW input, meaning there is no need for additional ventilation.

- 5.7kW input, no need for added ventilation
- 4.2kW output
- 82% efficiency
- Extra-wide fuel bed and flame
- Suitable for both Class I and Class II flues
- Full sequence infra-red remote control that lights the pilot light as well as the fire, saving energy and carbon emissions
- Manual control also available
- Traditional or hole-in-the-wall installation
- For a complete range of trim and fret options please see pages 60-63
- Two fuel beds – coal or pebble



Focus HE 18" with chrome Gate fret and trim, shown with pebble fuel bed.





Focus HE 18" with brass Gate fret and trim, shown with coal fuel bed.

For specifications refer to the technical datasheet

Features:

1

2

NG



4.2 kW



Balanced flue – not for chimneys

Focus RS Plus

One of the most efficient balanced-flue fires on the market

The award-winning Paragon RS was a trail blazer in putting the fire back into the fireplace rather than in front of it. The next-generation Focus RS Plus has been designed to build on this excellent foundation.

Heat and efficiency

- 4.3kW output
- 85% efficiency
- Meets the European Class One energy efficiency standard

Comfort and control

This fire may be specified with either:

- Manual control concealed behind 'ashpan' cover
- Slide control also available (on natural gas models only)
- The ultimate luxury – full sequential remote control, the last word in ease of operation – it even lights the pilot each time to save gas

Looks

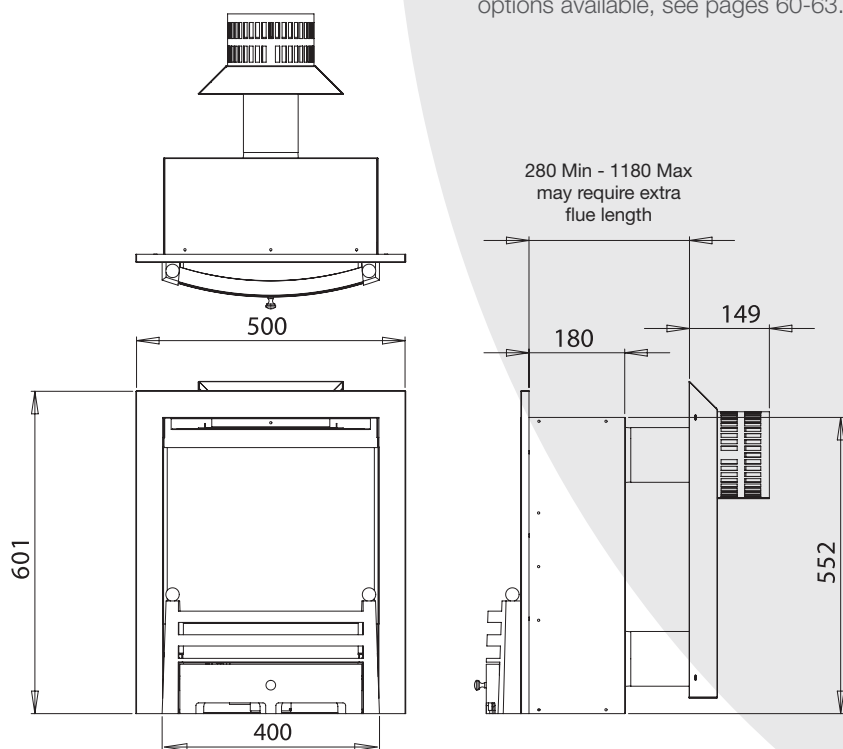
The Focus RS Plus can take on many different styles:

- 2 fuel beds: coal and pebble
- Contemporary hole-in-the-wall and hearth-mounted fascias
- Pixilated edge glass for clean, neat styling

Flexible design

- Only requires a minimum of 4" hearth depth from the wall if floor mounted
- Can be mounted without a hearth using a 4-sided fascia
- Can be mounted in up to 1.18 metre thick wall. This makes it the fire of choice for houses where the chimney has either failed or been removed at roof level.

For the complete range of trim and fret options available, see pages 60-63.



Focus RS Plus with brass Elite fascia. Shown with coal fuel bed.



Focus RS Plus brass trim with brass Gate fret. Shown with coal fuel bed.



Focus RS Plus chrome trim and Gate fret. Shown with pebble fuel bed.



Focus RS Plus with satin Elite fascia.
Shown in Stokesay limestone surround.

Features:



NG

LPG



4.3 kW



Balanced flue – not for chimneys

Focus RS Plus 18"

An extra-wide balanced-flue inset fire

Combining one of our most efficient balanced-flue fires with an extra-wide inset to create the Focus RS Plus 18"

Forget preconceptions of past 18" fires, which required a large gas input, our award-winning Paragon Focus RS has an extra-wide firebox, giving an exceptional fuel bed and flame without the need for additional ventilation.

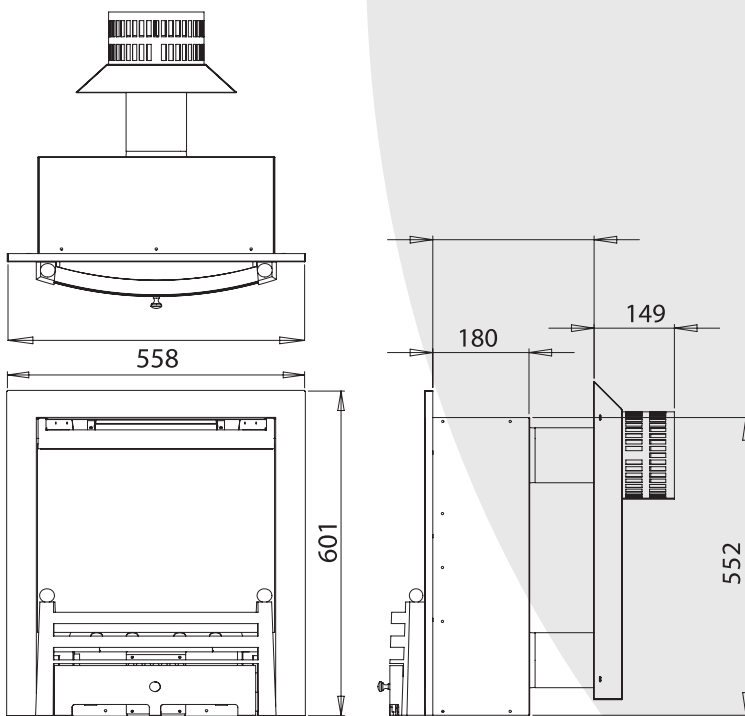
Heat and efficiency

- 5.2kW input
- 3.9kW output
- 85% efficiency

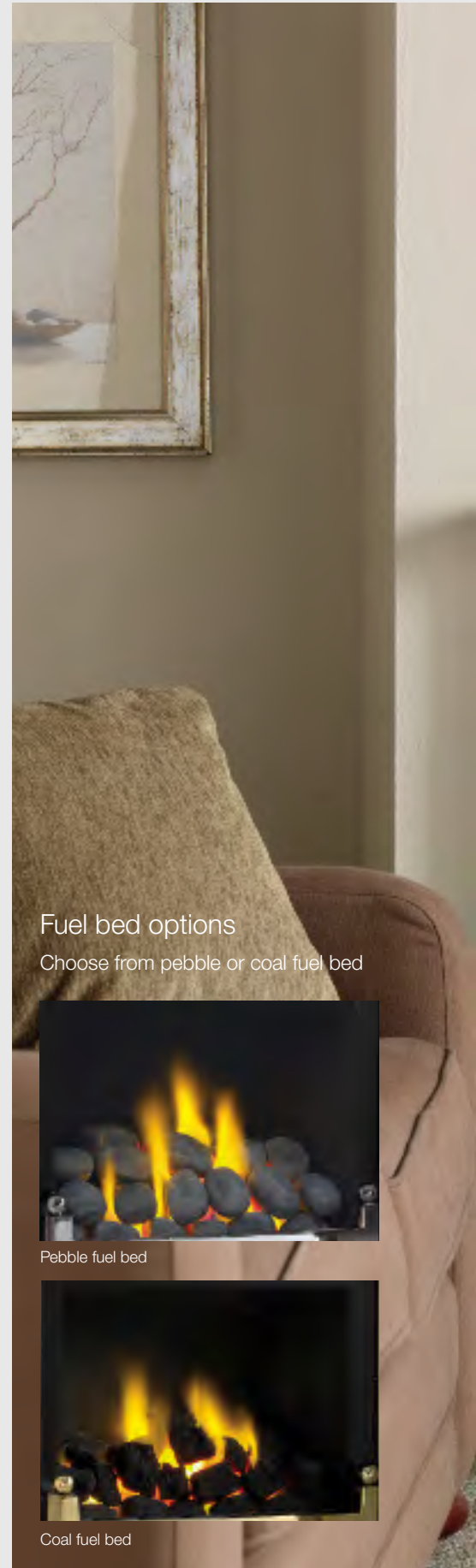
Looks

The Focus RS Plus 18" can take on many different styles:

- Extra-wide fuel bed and flame
- 2 fuel beds – coal or pebble
- See pages 60-63 for a choice of trim and fascia options
- A number of fret options are available, please see page 60 for details
- Manual control



For the complete range of trim and fret options see pages 60-63.



Fuel bed options

Choose from pebble or coal fuel bed



Pebble fuel bed



Coal fuel bed



Also available
as a hole-in-the-wall fire



Focus RS 18" with chrome trim and Gate fret.
Shown with a pebble fuel bed.

For specifications refer to the technical datasheet

Features:



NG



3.9
kW



Fits most chimneys

P4 Series

The versatile P series gas fires

The Paragon P4 series is a modern 500mm wide gas fire that can be installed in your home in three different ways, offering the maximum versatility and a look to suit all.



P4 shown as a hole-in-the-wall fitting.

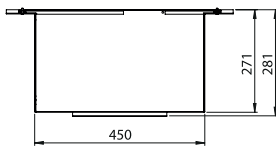
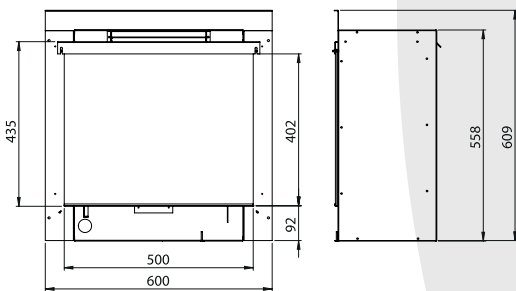
Fits easily as a complete suite or hole-in-the-wall fire

The large 20" glass-fronted P4 fits most back panels and surrounds, making it an ideal fire for fireplace suite packages, and offers a substantial upgrade from a standard 16"/18" glass-fronted fire for very little cost difference.

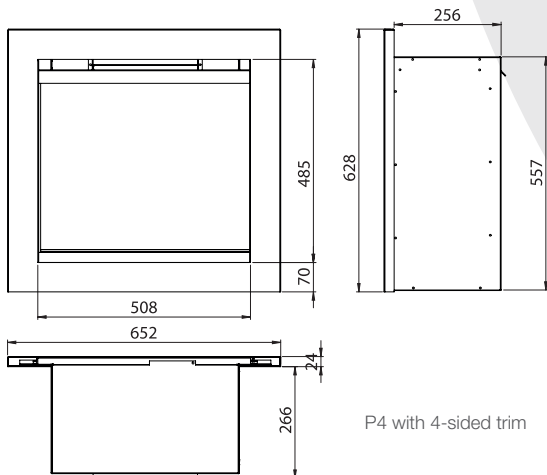
The P4 when used in a suite with most 3" rebated surrounds is free of an external trim frame and as a result can enhance and complement a multitude of traditional or modern fireplace designs. Sized to fit fireplace openings of a minimum 500mm wide and 555mm high, the P4 is a good size for smaller chimney breasts or moderately sized fireplace suites.

The fire can also be fitted "frameless" into a wall for the modern, minimalistic look. There is also an optional slip kit available should you wish to fit in the wall and finish the edge with marble or stone slips.

- 4.05kW output from modest 5.5kW input
- Matt black or beige firebox liners
- Realistic log flame effect
- 82% efficient to BS7977-1: 2009 + A1: 2013 (as amended)
- Simple slip kit available
- Choice of Graphite or Brushed Stainless Steel trim



P4 hole-in-the-wall



P4 with 4-sided trim

Choice of two trims



Brushed steel trim.



Graphite trim.

The third way the fire can be installed is again in the wall but with a trim around the fire to give a traditional hole-in-the-wall look. The fire is launched with a choice of either brushed stainless steel or graphite trims.



P4 shown in Beckford surround



All P4 suites come with a choice of firebox liner



Matt black firebox



Beige firebox

P4 Aylesbury suite with Aston stove fascia

For specifications refer to the technical datasheet

Features:

1

2

NG



4.05 kW



Fits most chimneys

P8 Series

A big, 31" super-efficient panoramic gas fire

Like the P4, the P8 is a truly versatile fire that can be fitted in a variety of ways in either modern or traditional settings depending on preference.

A flexible design that can fit flush to the wall or into its own trim or suite – the choice is yours

Like all P series, the P8 offers the ultimate in cost-effective efficiency

- Realistic flame effect from efficient 6.6kW input
- 81% net efficiency approved to the latest amended British Standard BS7977-1: 2009 + A1: 2013 (as amended)
- Output 4.8kW
- Battery remote control
- Choice of metal trims, graphite or stainless steel
- Choice of glass trims, black, white or red glass



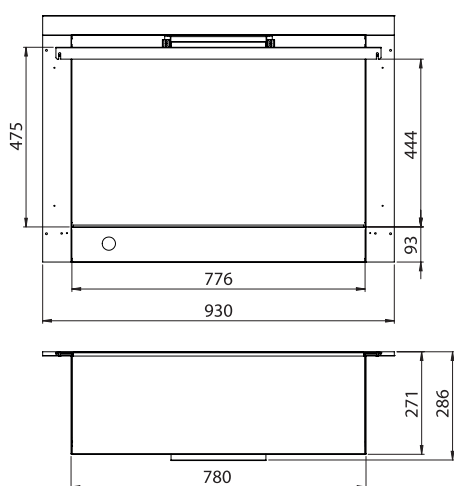
P8 hole-in-the-wall shown in brushed steel trim.



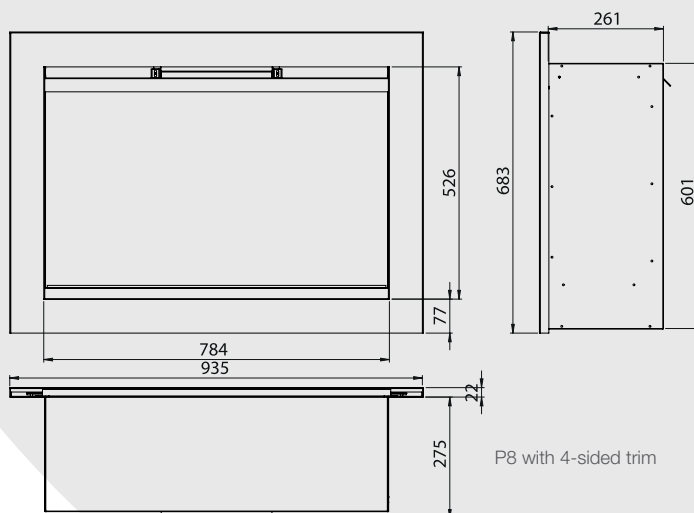
P8 hole-in-the-wall shown in white glass trim.



P8 hole-in-the-wall shown in black glass trim.



P8 hole-in-the-wall



P8 with 4-sided trim

For remaining diagrams see pages 72-74



P8 shown with beige liners & limestone slips.



P8 shown in the Leighton limestone surround.



P8 hole-in-the-wall shown as contemporary flush fitting application.

For specifications refer to the technical datasheet

Features:

1

2

NG



4.8
kW



41

Fits most chimneys

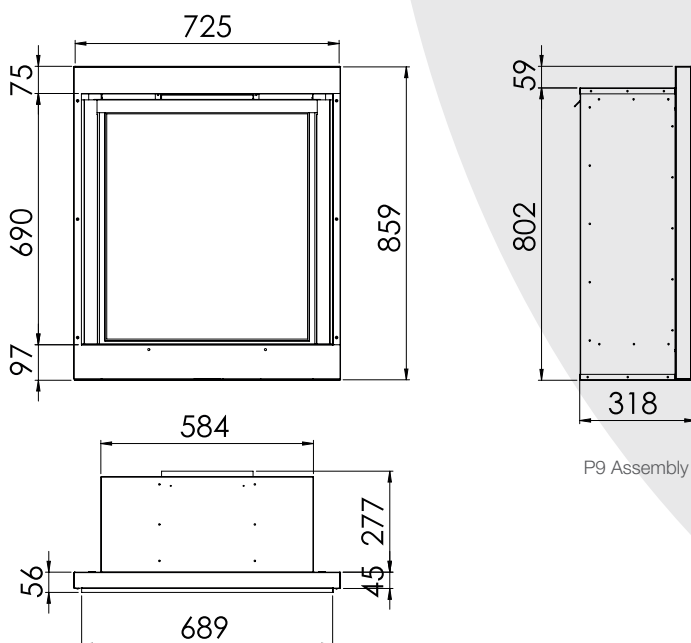
P9 Series

A full large fire that fits perfectly in a fireplace

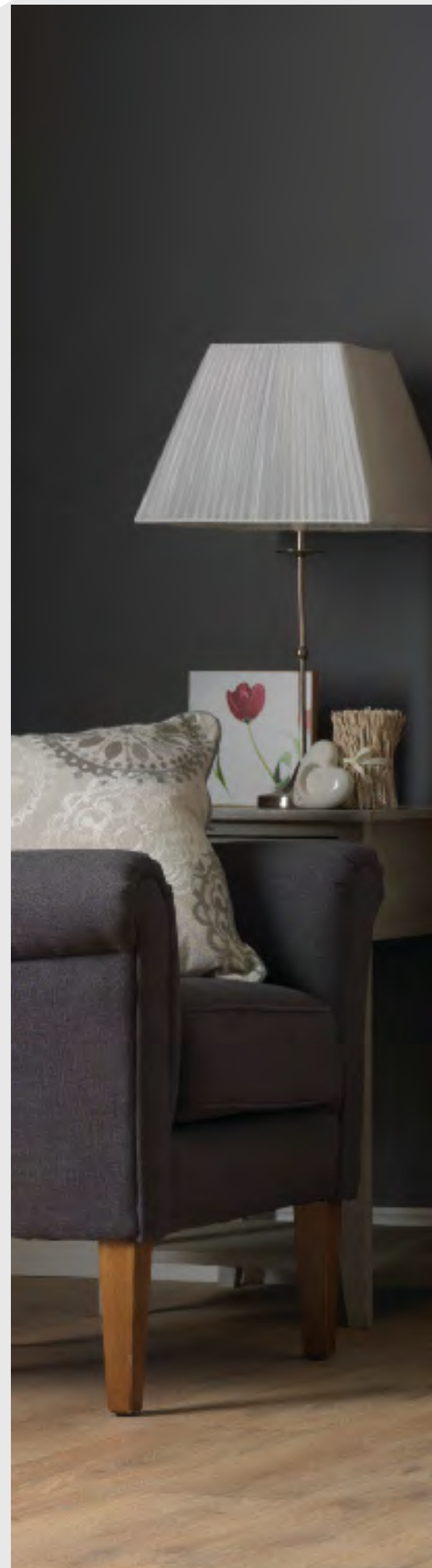
The P9 is the largest of the P Series fires and is designed to fill in between the legs of a fireplace to create an impressive suite. The P9 is available in a wide range of different fireplaces and due to the dimensions will fit into most fireplaces available for sale.

- Realistic flame effect from efficient 7.6kW input
- No need for any additional ventilation in the room
- Output 5.6kW
- 81.3% net efficiency approved to the latest amended British Standard BS7977-1: 2009 + A1: 2013 (as amended)
- Realistic log fuel bed
- Battery remote control

All P9 suites come with a choice of firebox liner



P9 Assembly drawing





P9 Balmoral suite



P9 Stokesay suite



P9 Aylesbury suite

For specifications refer to the technical datasheet

Features:

1

2

NG



5.6
kW



43

Balanced Flue – Not for Chimneys

P9 BF Series

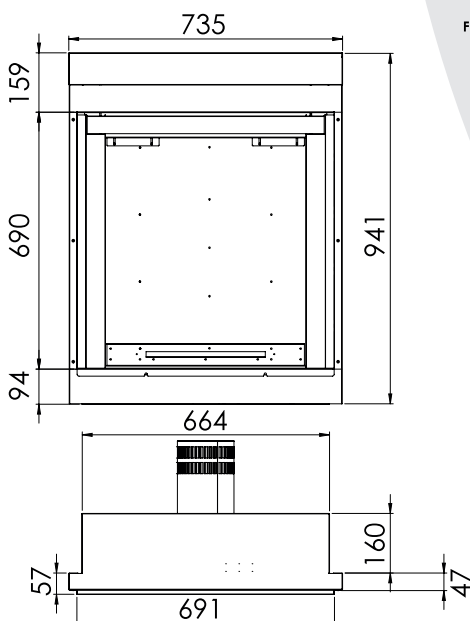
A large balanced flue gas fire, perfectly for creating a suite

Like the conventional flue version the P9 BF is available in a wide range of different fireplaces and due to the dimensions will fit into most fireplaces available for sale. Being balanced flue means you are not limited to needing a chimney breast and will fit on most outside walls (subject to survey).

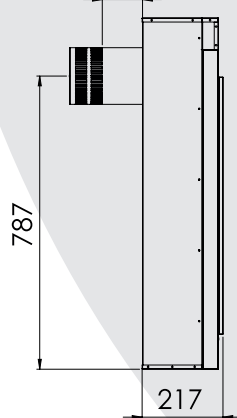
- Realistic flame effect from efficient 4kW input
- No need for any additional ventilation in the room
- Output 3.6kW
- Realistic log fuel bed
- 87.5% net efficiency approved to the latest British Standard BS7977-1: 2009 + A1: 2013 (as amended)
- Battery remote control



All P9 BF fires come with a choice of firebox liner



Flue Length from Min 100mm to Max 600mm



P9 with Balance Flue



87.5% efficiency



P9 BF Leighton suite

For specifications refer to the technical datasheet

Features:



NG



3.6 kW



Fits most chimneys

Paragon CF Gas Stove

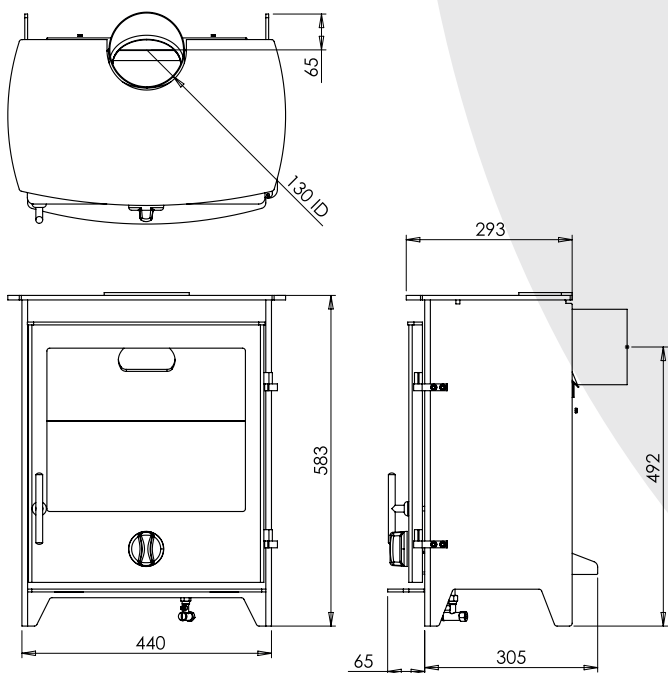
The efficient, realistic high quality gas flames from Paragon are now available in a stove design.

The Paragon gas stove model is manufactured with heavy-duty, seam-welded steel bodies and doors. The stoves can be fitted in Class 1, Class 2 and pre-cast flues.

- Highly realistic log fuel bed
- Adjustable feet
- Large panoramic window
- Net thermal efficiency of up to 78%
- Operation of the stove is controlled by a single knob for ease of use
- Manual control



CF Gas Stove in Balmoral Grey Slate Liners





CF Gas Stove in Balmoral Gold Quartz Liners

For specifications refer to the technical datasheet

Features:

1

2



NG

LPG



4.3
kW



47

Balanced Flue – not for chimneys

Paragon BF Gas Stove

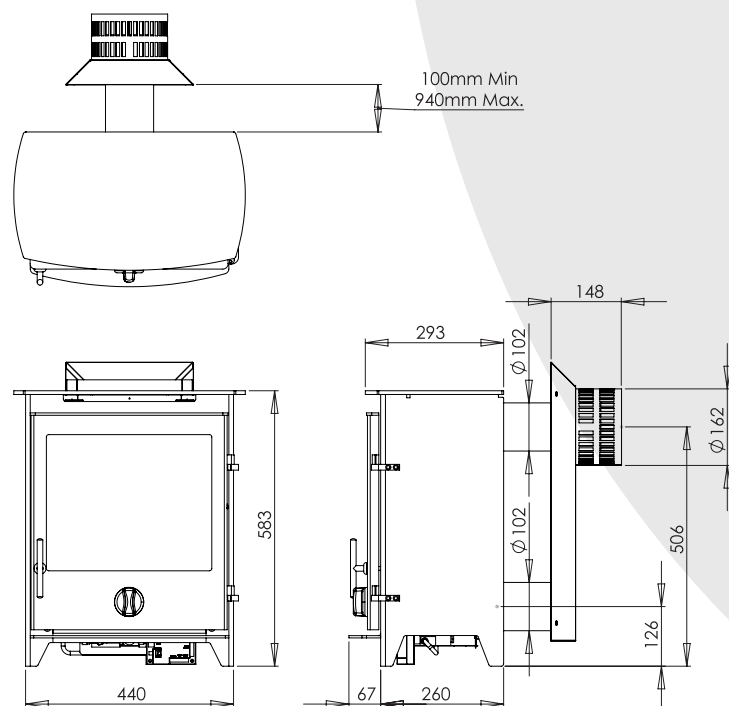
No chimney, no problem with the new Paragon balanced flue gas stove

Like the conventional Paragon gas stove this stove is manufactured with heavy-duty, seam welded steel bodies and door. These stoves will fit onto an outside wall.

- Highly realistic log fuel bed
- Infra-red remote controlled
- Large panoramic viewing window
- Impressive thermal net efficiency of up to 88%
- Adjustable feet for siting the stove



BF Gas Stove in Beckford Gold Quartz Liners





BF Gas Stove in Beckford Grey Slate Liners

For specifications refer to the technical datasheet

Features:



NG

LPG



4.35
kW



Introducing the new range of **electric** fires and stoves

A popular choice for people who prefer electric to gas or wood burning. Our 3D Ecoflame™ electric appliances are versatile, low wattage and can be fitted virtually anywhere.

Our electric appliances have been intelligently designed with versatility in mind so they are suitable for any room, whether traditional or contemporary offering a comforting warmth to any home.

The appliance uses low energy, high tech LED lights throughout which gives a maintenance free eco-friendly light source.

Unique C&J 3D Ecoflame™ technology produces extra realism and depth illusions to the flame effect without compromise to practicality and energy economy.

Selected artist painted log shapes along with a fuel bed media kit allows you to create your own realistic look.





Contents

Fires

Electric

P4 Electric Fire	52
P8 Electric Fire	54
Paragon Electric Stove	56

Cast Insert (Open-Flame)

Chirbury Cast	58
---------------	----

Options & Technical

Fret Options	60
Trim Options	61
Fascia Options	62
Flue types	64
Flue compatibility	65
Specs & Dimensions	66

Can go on most flat cavity walls

P4 Electric Fire

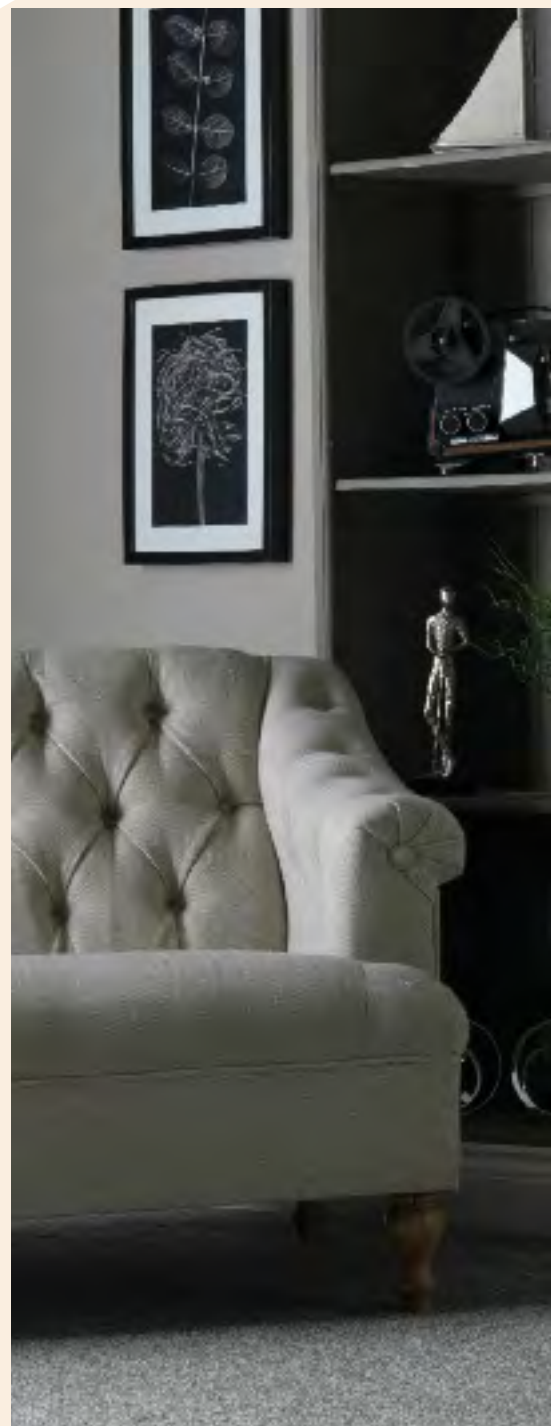
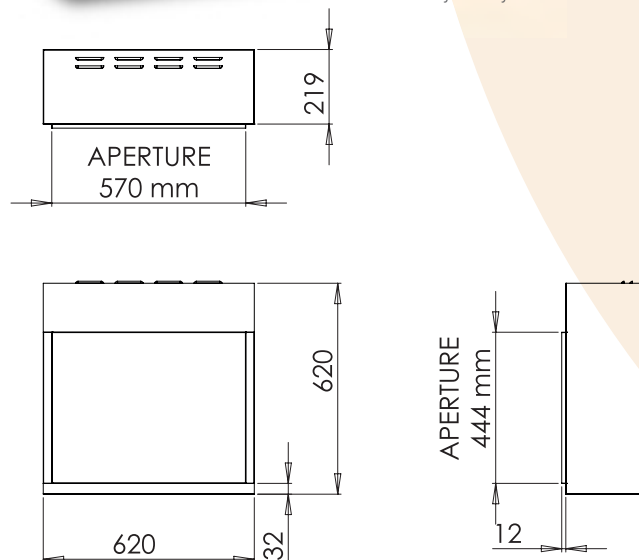
With today's highly efficient homes it is not always needed to have a gas or wood burning fire in your room or fitting such an appliance may not be possible. If however you want the warmth from the look and feel of such fireplaces but without the need for such high heat outputs then an electric suite is ideal.

Product Highlights

- Loose realistic log or coal fuel Bed
- Exciting realistic flame effect with 4 mood settings
- Remote control with timer and thermostat built in
- High level buttons for easy access
- 2 generous heat settings Low 1kW and High 2kW
- Designed to be built into chimney breast or suitable suite
- Can be fully serviced and maintained from the front, with no requirement to remove from the wall
- The appliance uses low energy, high tech LED lights throughout which gives a maintenance free eco-friendly light source
- Unique C&J 3D Ecoflame™ technology produces extra realism and depth illusions to the flame effect without compromise to practicality and energy economy
- Selected artist painted log shapes along with a fuel bed media kit allows you to create your own realistic look



P4 Electric Aylesbury suite





P4 Electric Stokesay suite



P4 Electric Beckford suite



P4 Electric Stokesay suite

For specifications refer to the technical datasheet

Features:



2 kW



Can go on most flat cavity walls

P8 Electric Fire

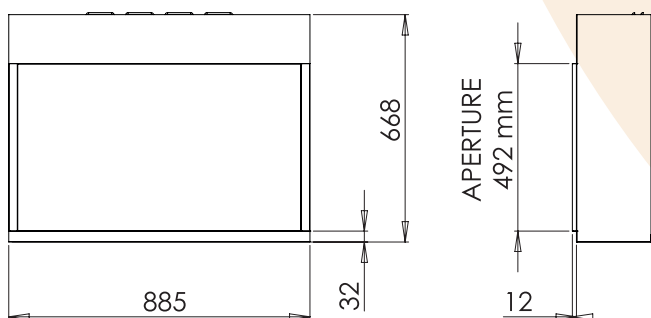
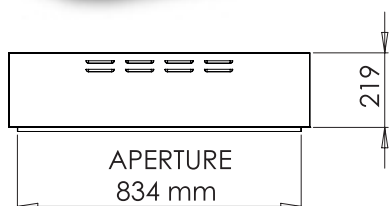
If your looking for the look and feel of the Paragon P8 gas fire but want the ease and low running of an electric fire then look no further.

Product Highlights

- Loose realistic log or coal fuel bed
- Exciting realistic flame effect with 4 mood settings
- Remote control with timer and thermostat built in
- High level buttons for easy access
- 2 generous heat settings Low 1kW and High 2kW
- Designed to be built into chimney breast or suitable suite
- Can be fully serviced and maintained from the front, with no requirement to remove from the wall
- The appliance uses low energy, high tech LED lights throughout which gives a maintenance free eco-friendly light source
- Unique C&J 3D Ecoflame™ technology produces extra realism and depth illusions to the flame effect without compromise to practicality and energy economy
- Selected artist painted log shapes along with a fuel bed media kit allows you to create your own realistic look



P8 Electric Leighton suite





P8 Electric Modern suite

For specifications refer to the technical datasheet

Features:



2
kW



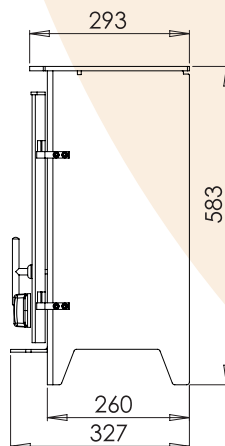
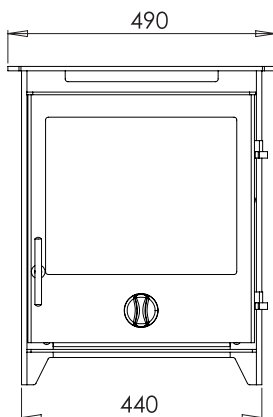
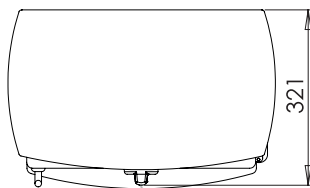
Can be fitted on any flat floor

Paragon Electric Stove

Over the last five or so years the fashion for wood burning stoves has grown. However in many situations fitting a wood stove is either not practical or cost effective. The Paragon Electric Stove is the ideal solution and all it needs to work is a power supply and a flat surface!!

Product highlights

- Loose realistic log or coal fuel bed
- Exciting realistic flame effect with 4 mood settings
- Remote control with timer and thermostat built in
- 2 generous heat settings Low 1kW and High 2kW
- Heavy duty seam welded steel construction for both body and door
- Levelling screws in the feet of the legs for rustic stone hearths
- Replica flue pipe available as an option for that realistic look
- The appliance uses low energy, high tech LED lights throughout which gives a maintenance free eco-friendly light source
- Unique C&J 3D Ecoflame™ technology produces extra realism and depth illusions to the flame effect without compromise to practicality and energy economy
- Selected artist painted log shapes along with a fuel bed media kit allows you to create your own realistic look





For specifications refer to the technical datasheet

Features:



2
kW



Casts

Chirbury Cast

Chirbury Performance Combo Cast

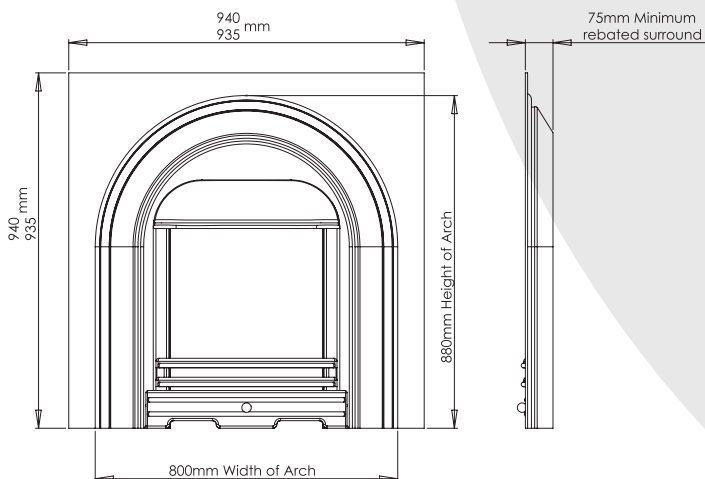
The Performance Combo provides the traditional Victorian cast fireplace appearance with the advantage of a gas fire of a higher performance and efficiency, which would not normally be available with a traditional cast.

This patented system is designed to work with a range of gas fires from Charlton & Jenrick including the Paragon One, Paragon 2000 Plus & Slimline 3 fires in this brochure. (Manual and remote versions only.)

This cast is also designed for use with our glass-fronted gas fires. The cast allows for easy removal of the fire for its annual servicing, something that many casts can't facilitate.



A large selection of casts are available. Please contact us for more details.





Paragon One in Chirbury cast with coal fuel bed and shown in Wentworth natural oak fireplace from Katell.

Choose the perfect fret for your fire

Fret Options

Wellington fret



Wellington brass.



Wellington antique.



Wellington EPNS/chrome.



Wellington black.

Gate fret



Gate brass.



Gate chrome.



Gate black.

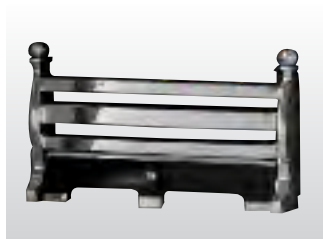


Gate brushed stainless steel.

Antique Bridge fret



Brass Antique Bridge.



Chrome Antique Bridge.

Bayswater fret



Bayswater chrome.



Bayswater brass.

Fret Compatibility

Model	Wellington	Gate	Bridge	Bayswater
2000 Plus	✓	✓	✓	✓
2000 Extra	✓	✓	✓	✓
Turbo 2000 Plus	✓	✓	✓	✓
2000 Low Lintel	✓	✓	✓	✓
Slimline 3	✓	✓	✓	✓
Paragon One	✓	✓	✓	✓
P3 Hybrid Series	✓	✓	✓	✓
Convactor P1	✓	✓	✓	✓
Focus HE Slimline	✓	✓	✓	✓
Focus HE	✓	✓	✓	✓
Focus HE 18" *	✗	✓	✗	✗
Focus RS Plus	✓	✓	✓	✓
Focus RS Plus 18" *	✗	✓	✗	✗

* These require the larger 18" versions where available in certain models. May not be available in all colour options so please check with your retailer.

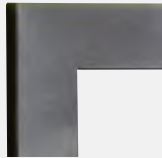
Choose the perfect trim for your fire

Trim Options

P4 and P8 Gas series trim options



Brushed steel trim.



Graphite trim.

P8 series – glass trim options



White glass.

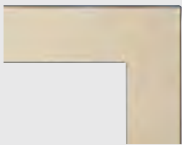


Black glass.

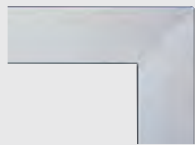


Red glass.

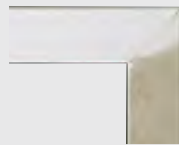
Standard trim Available for Manual, Slide Control & Remote fires



Brass.



Brushed stainless steel.



Chrome.



Black.

Elite trim Available for Manual, Slide Control & Remote fires



Chrome.



Satin.



Brass.

* Trim types may not be available in all colour options for all control types. Please ask your retailer who can discuss options with you.

**These require the larger 18" versions where available in certain models. May not be available in all colour options so please check with your retailer.

Trim Compatibility*

Model	Standard	Elite
2000 Plus	✓	✓
2000 Extra	✓	✓
Turbo 2000 Plus	✓	✓
2000 Low Lintel	✓	✗
Slimline 3	✓	✓
Paragon One	✓	✓
P3 Hybrid Series	✓	✓
Convector P1	✓	✓
Focus HE Slimline	✓	✓
Focus HE	✓	✓
Focus HE 18" **	✓	✗
Focus RS Plus	✓	✓
Focus RS Plus 18" **	✓	✗

Choose the perfect fascia for your fire

Fascia Options

Complete trim and fret bar in one

Simply put, a fascia is a trim and fret in a complete unit

On this page you will find a collection of fascias that fit the Paragon range of gas fires in this brochure. The table on the bottom of the opposite page will guide you to which fascias can be used with the specific gas fires.

Three-sided fascias are designed to sit on the hearth in a traditional setting. Four-sided fascias offer that modern look and are for hole-in-the-wall installations where all four sides are on show.

Solar fascia options – available in 5 variations

Solar IV 16" fascias

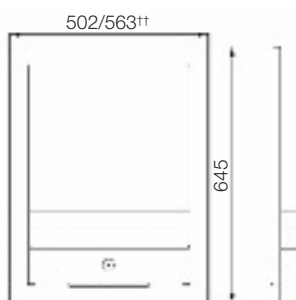
Available for Manual & Remote fires.



Solar IV graphite 4-sided



Solar IV brushed stainless steel 4-sided



2000 Plus Solar IV in brushed stainless steel shown with pebble fuel bed.

Solar IV models feature mitre-free corners – laser-profiled out of a single sheet of metal.

Solar III 16" fascia/18" fascia

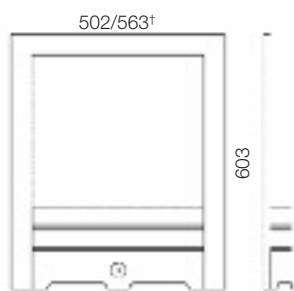
Available for Manual, Slide Control & Remote fires.



Solar III brushed stainless steel 3-sided



Solar III graphite 3-sided



Fascia Compatibility*

Model	Solar IV	Solar III	Cast	Elite
2000 Plus	✓	✓	✓	✓
2000 Extra	✓	✓	✓	✓
Turbo 2000 Plus	✓	✓	✓	✓
Slimline 3	✓	✓	✓	✓
Paragon One	✓	✓	✓	✓
P3 Hybrid Series	✓	✓	✓	✓
Convector P1	✓	✓	✓	✓
Focus HE Slimline	✓	✓	✗	✓
Focus HE	✓	✓	✓	✓
Focus HE 18***	✓	✓	✗	✗
Focus RS Plus	✓	✓	✓	✓
Focus RS Plus 18***	✓	✓	✗	✗

* Fascias may not be available in all colour options for all control types. Please ask your retailer who can discuss options with you.

**These require the larger 18" versions where available in certain models. May not be available in all colour options so please check with your retailer.

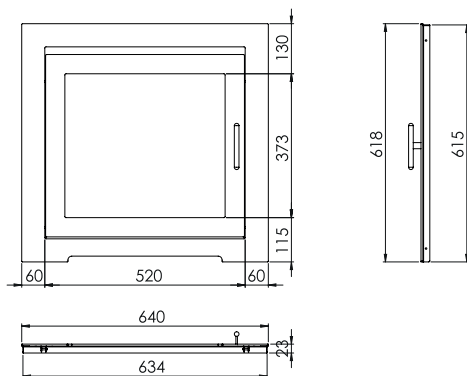
† To use the fascia on glass-fronted fires the fret top plate **must** be removed.

Aston Stove fascia

Available for P4 only.



Aston Stove Fascia



Cast Arch fascia options

Available for Manual, Slide Control & Remote fires
 (for Slide there is a removal section from the manual trim to allow for the slide lever).



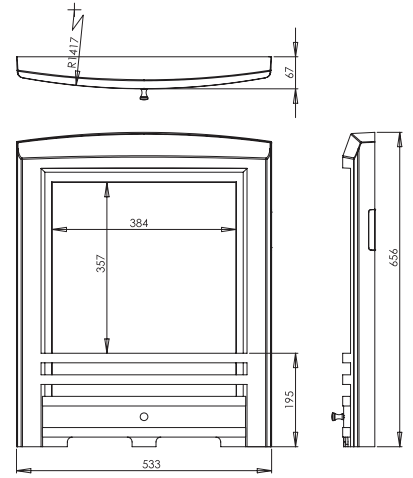
Cast Arch brass fascia



Cast Arch black fascia



Cast Arch chrome fascia



Square Cast fascia options

Available for Manual, Slide Control & Remote fires
 (for Slide there is a removal section from the manual trim to allow for the slide lever).



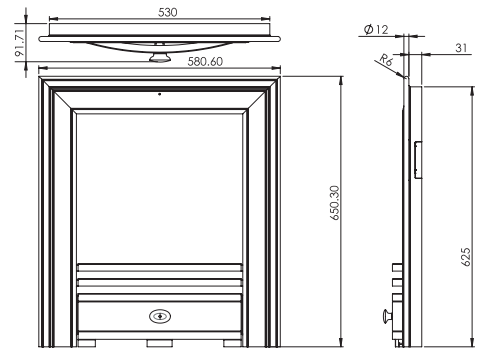
Cast Square pewter fascia



Cast Square brass fascia



Cast Square gun metal fascia



Elite fascia Available for Manual, Slide Control & Remote fires



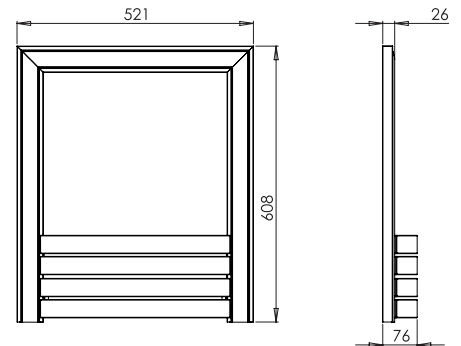
Chrome.



Satin.



Brass.



Choosing your flue

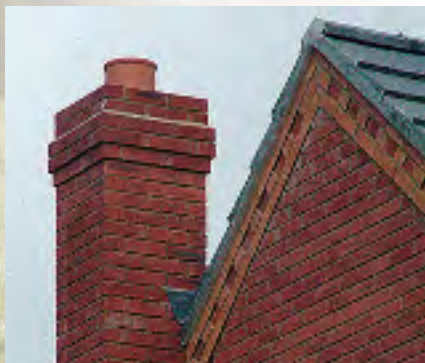
Choosing the right fire for your lifestyle

Current gas safety regulations stipulate that any gas installation must be carried out by a Registered Gas Safe engineer. Your Paragon authorised dealer will be able to advise you on which model will best suit your home, what options are available and how to choose your Gas Safe registered fitter.

Our network of nationwide dealers is here to help you to enjoy the experience of owning a living flame gas fire.

Due to the vast number of varying flue types, your existing fire may need to be removed to confirm your flue and product suitability.

Typical flue types



Chimney

A **brick chimney (Class I)** is recognised by a chimney stack with accompanying terracotta pot or gas terminal. Internal dimensions are usually either 9" x 9" (229 x 229mm) square or 8" – 9" (229 – 254mm) round cross-section.



Pre-fabricated flue

A **pre-fabricated flue (Class II)** has a metal flue and terminal. The internal dimensions are usually 5" (125mm) or greater round cross-section.



Pre-cast flue

A **pre-cast flue** can be identified by a ridge vent or metal flue tube and terminal. The internal dimensions vary but most Paragon fires will operate on 13500mm² or greater cross-section pre-cast flues in good working order.



No chimney or flue

No chimney or flue – if you have nothing on your roof, you probably have no chimney or flue. In this case, a **balanced flue** will usually suit this situation when positioned on a suitable outside wall.



Standard fan cover

Standard fan cover – Power flue fires have a flue pipe coming out of the outside wall and the fan cover is used to make this safe.

Note: All chimneys and flues should be regularly checked for debris and efficiency and swept where appropriate. Chimneys and flues, even if properly constructed, can suffer from unexpected problems that cannot always be detected prior to installation. For this reason, the smoke test outlined in the fitting instructions must always be completed prior to and after installation of any gas fire.

Flue type compatibility



Model	Pre-cast	Class I	Class II	Balanced	Turbo
2000 Plus	✓	✓	✓	✗	✗
2000 Extra	✓	✓	✓	✗	✗
Turbo 2000 Plus	✗	✗	✗	✗	✓
2000 Low Lintel	✓	✓	✓	✗	✗
Slimline 3	✓	✓	✓	✗	✗
Paragon One	✗	✓	✓	✗	✗
Convector P1	✗	✓	✓	✗	✗
P3 Hybrid Series	✗	✓	✓	✗	✗
Focus HE Slimline	✓	✓	✓	✗	✗
Focus HE	✗	✓	✓	✗	✗
Focus HE 18"	✗	✓	✓	✗	✗
Focus RS Plus	✗	✗	✗	✓	✗
Focus RS Plus 18"	✗	✗	✗	✓	✗
P4 Series	✗	✓	✓	✗	✗
P8 Series	✗	✓	✓	✗	✗
P9 Series	✗	✓	✓	✗	✗
P9 BF Series	✗	✗	✗	✓	✗
CF Stove	✓	✓	✓	✗	✗
BF Stove	✗	✗	✗	✓	✗

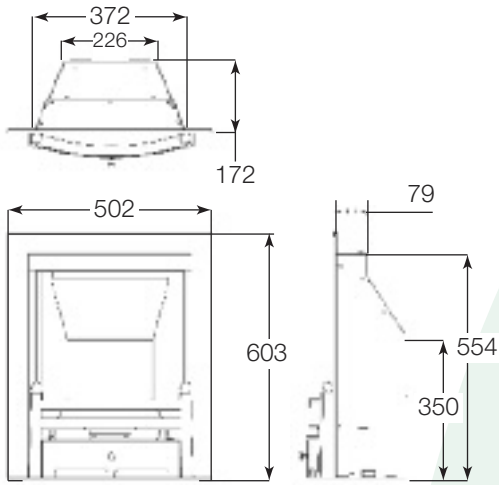
Flue compatibility



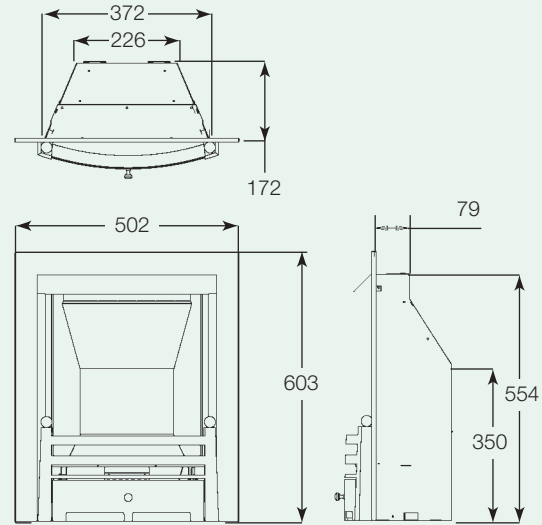
All Paragon gas fires are manufactured under a BS EN ISO 9001 quality system (registration number 5195), which covers all areas of product design, development, manufacture and service.

Open-flame

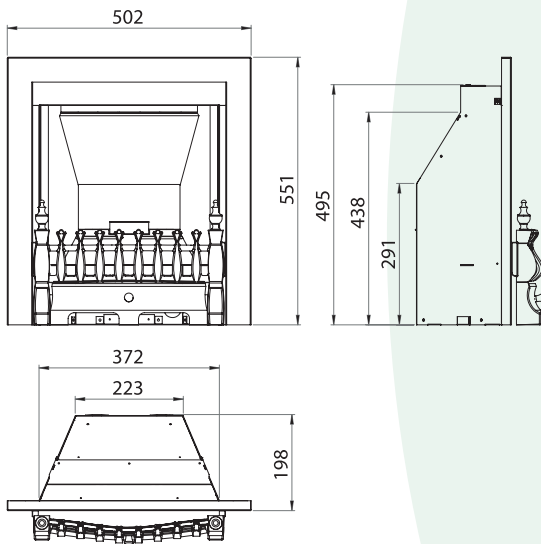
The 2000 Plus Range



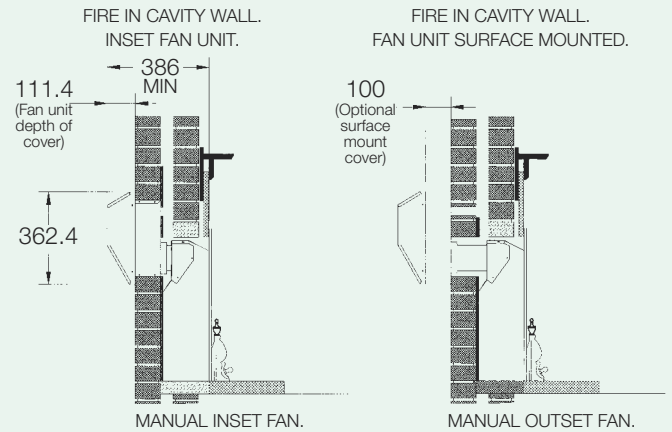
2000 Extra



2000 Low Lintel

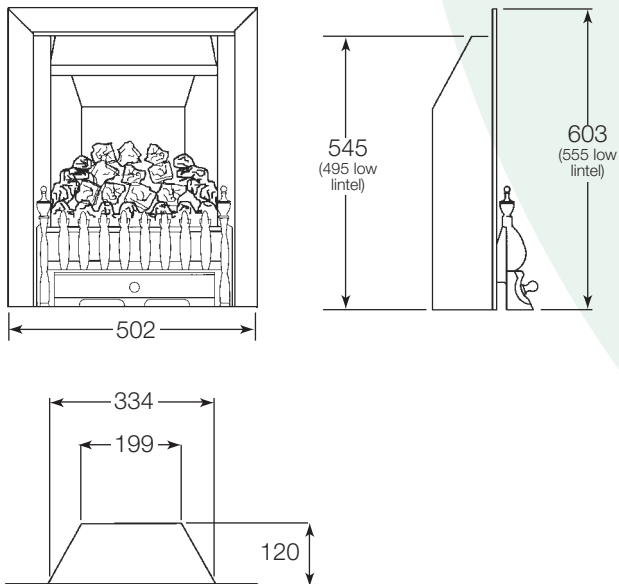


2000 Turbo Range

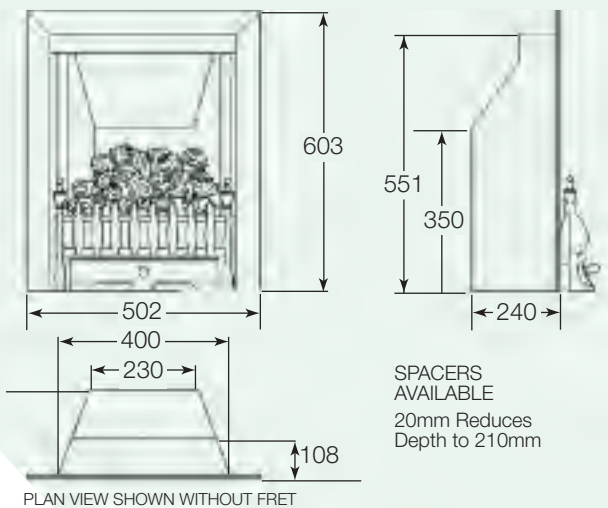


If the appliance is set back into the cavity, the space behind, to the sides and above must be insulated i.e. Rockwool. Minimum dimension will depend upon wall thickness.

Slimline 3 Range

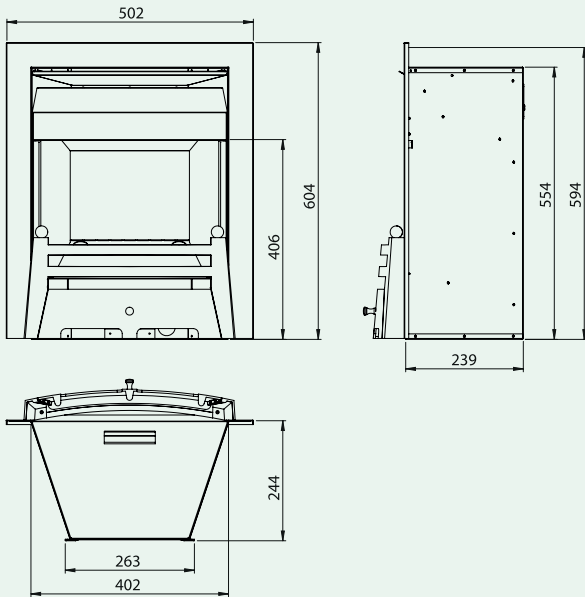


Paragon One

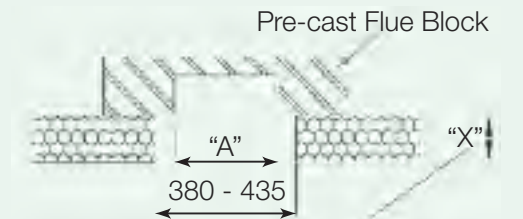
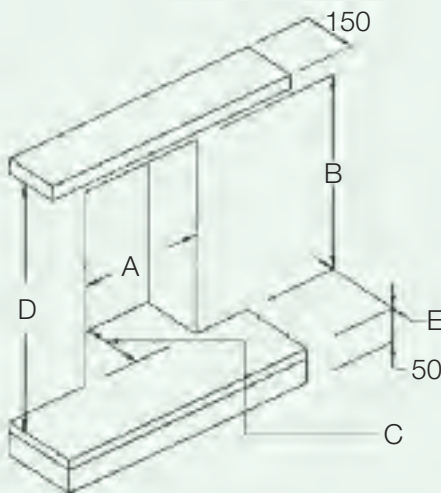


SPACERS AVAILABLE
20mm Reduces Depth to 210mm

Convector P1



For expert advice
and new product
information follow us
on twitter: @cJfires



ADDITIONAL DEPTH INCLUDING PLASTER AND FIREPLACE

	SPACER "A"	"X" MINIMUM (including plaster)	
		NONE	20mm
2000	300	83	63
	310	70	50
	320	60	40
Slimline	300	30	10
	320	15	0

Heat Inputs, Outputs and Efficiency

Model	high	Input		Net Efficiency (%)	Output (upto)	
		NG (kW)	LPG (kW)		NG (kW)	LPG (kW)
2000 Plus Series	H	7.0	6.65	56.6	3.56	4.0
2000 Extra	H	7.0	N/A	63.0	4.0	N/A
2000 Low Lintel	H	7.0	N/A	56.8	3.56	N/A
Slimline 3	H	7.0	N/A	64.9	4.1	N/A
Paragon One	H	7.0	N/A	55.5	3.5	N/A
Convactor P1	H	7.0	N/A	70.4	4.44	N/A

All the above are tested to BS7977-1: 2009 +A1 2013.

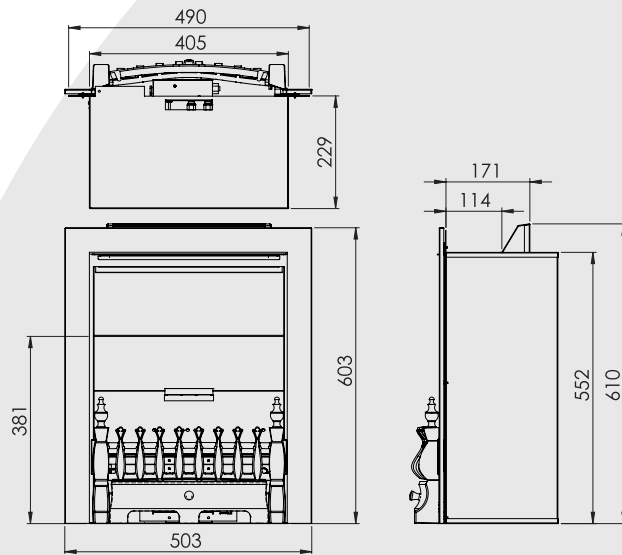
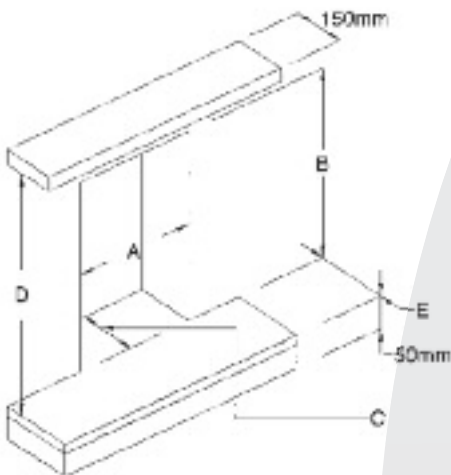
Measurements All dimensions in mm

	A	B	C	D	E			
Max opening width	458	380	578	552	185	700	300	105
Min opening width	458	380	578	552	185	700	300	105
Max opening height	431	380	526	500	215*	700	300	N/A
Min opening height	440	340	570	550	140	700	300	N/A
Min opening depth	458	380	578	552	250	700	300	105
Min height for combustible shelf	456	400	580	560	320	700	300	105
Min hearth depth								
Min height from floor for no hearth								

* reduced to 185mm if the chimney is new or never been used for solid fuel/oil.

Hybrid

P3 Hybrid



Heat Inputs, Outputs and Efficiency

Model	high	Input		Net Efficiency (%)	Output (upto)	
		NG (kW)	LPG (kW)		NG (kW)	LPG (kW)
P3 Hybrid Series	H	7.0	N/A	70.8	4.91	N/A

Measurements All dimensions in mm

	A	B	C	D	E	
Max opening width	445	415	580	560	320	N/A
Min opening width						N/A
Max opening height						N/A
Min opening height						N/A
Min opening depth						N/A
Min height for combustible shelf						N/A
Min hearth depth						N/A
Min height from floor for no hearth						N/A

Our conventional flued fires are all tested to BS7977-1 2009 + A1 2013. This is the current standard at time of print.

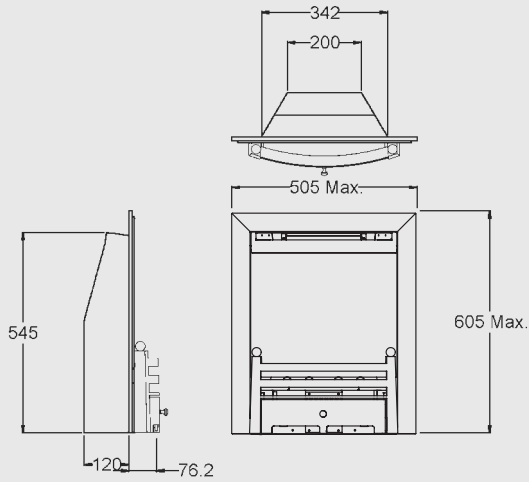
* Fireplace & 4-sided frame.



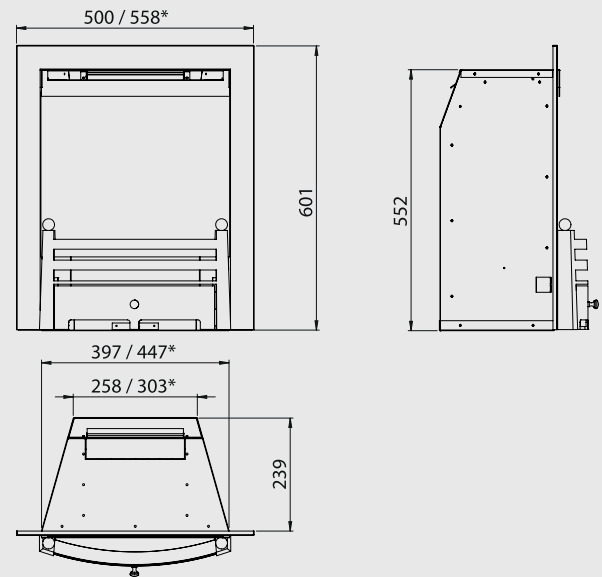
For expert advice and new product information follow us on facebook: www.facebook.com/cJfires

Glass-fronted

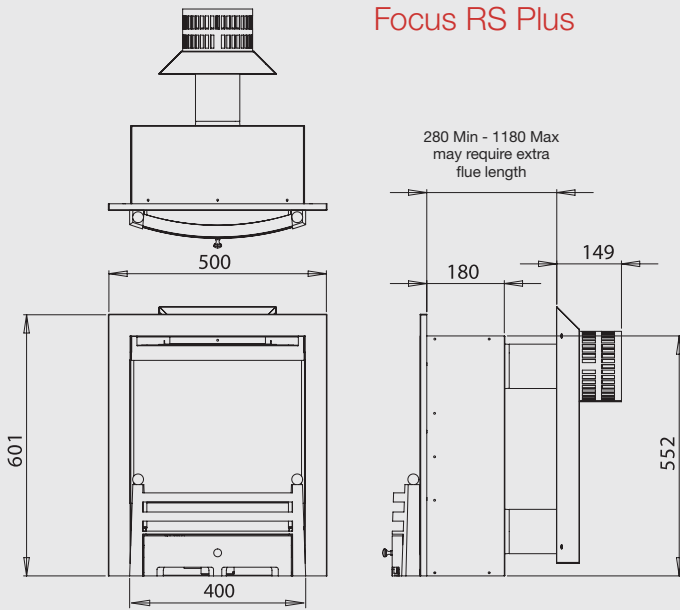
Focus HE Slimline



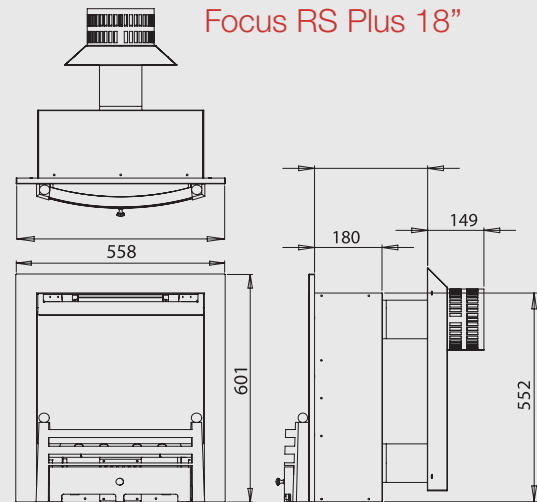
Focus HE/Focus HE 18" *



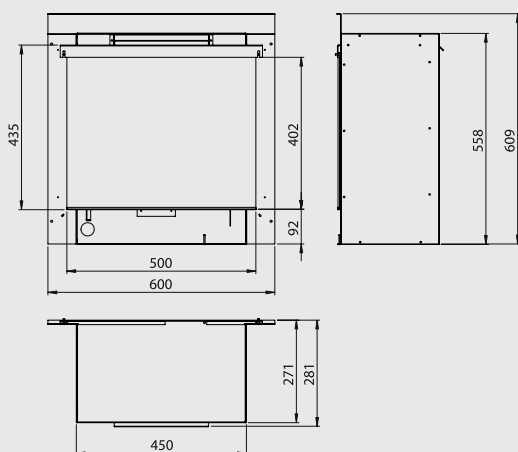
Focus RS Plus



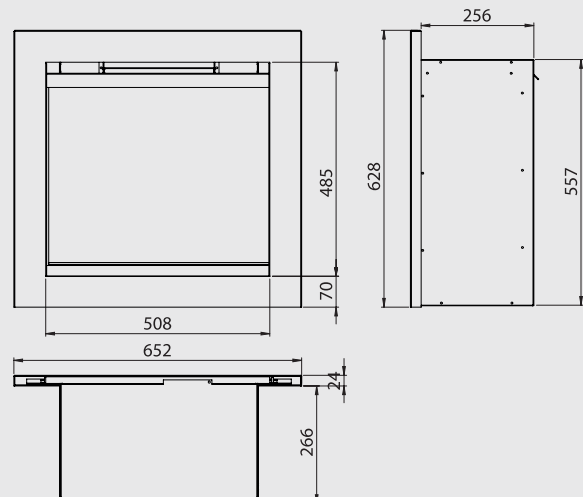
Focus RS Plus 18"



P4 Series hole-in-the-wall

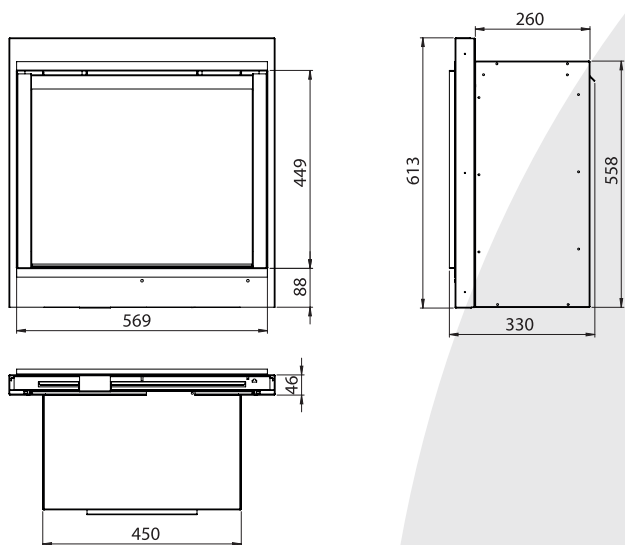


P4 Series with 4-sided trim

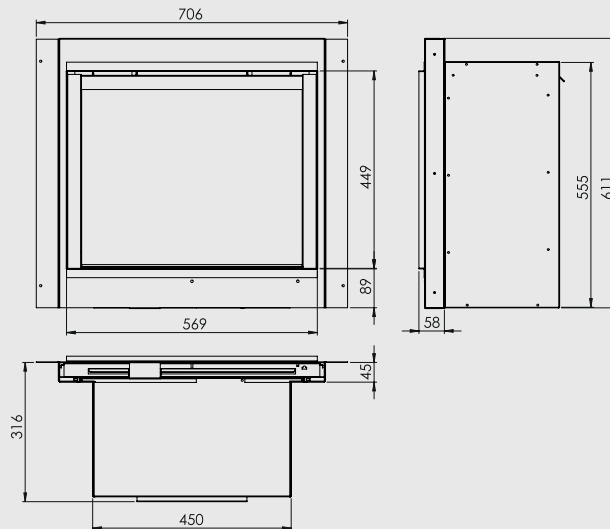


Glass-fronted

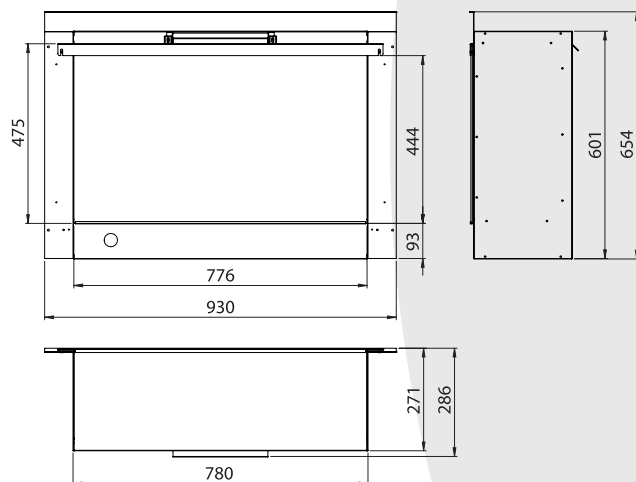
P4 Series with fireplace frame



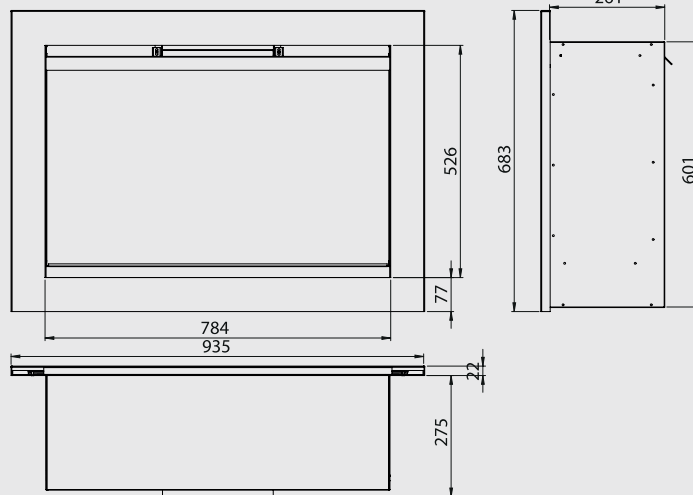
P4 Series with slip fixing bracket



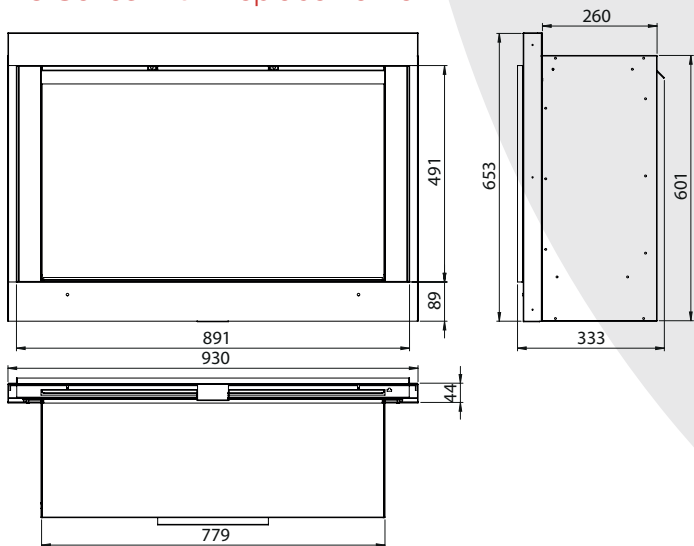
P8 Series hole-in-the-wall



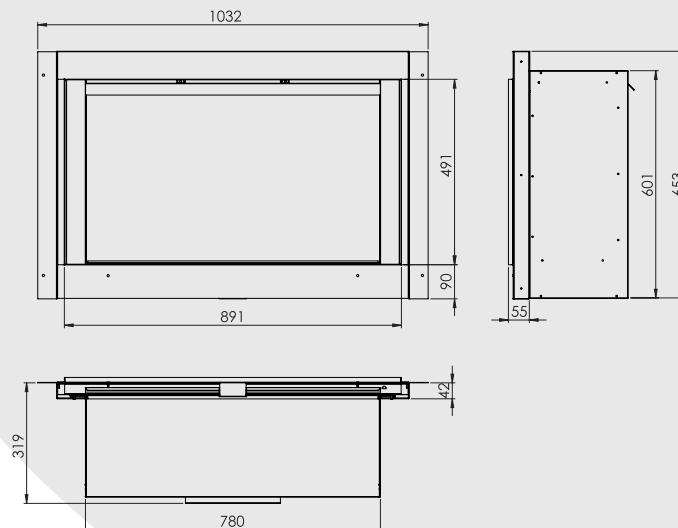
P8 Series with 4-sided trim



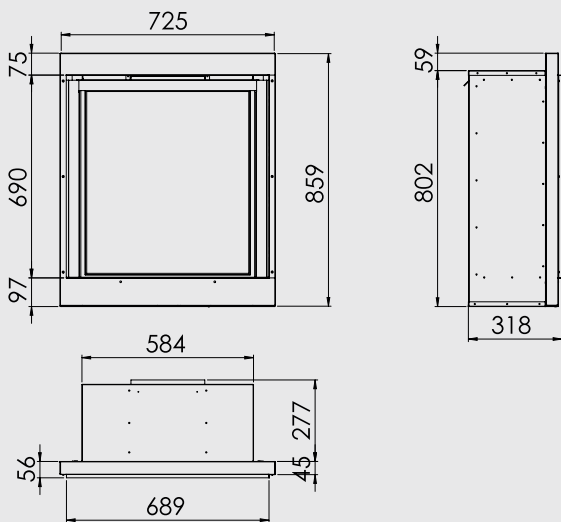
P8 Series with fireplace frame



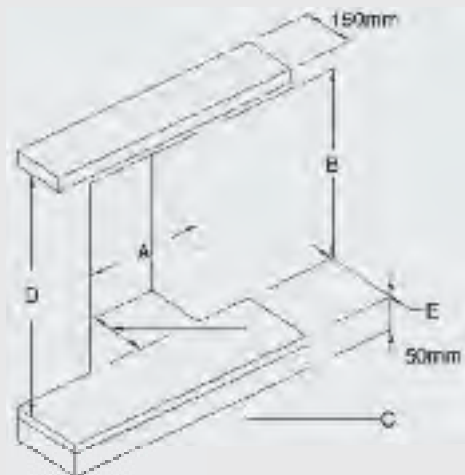
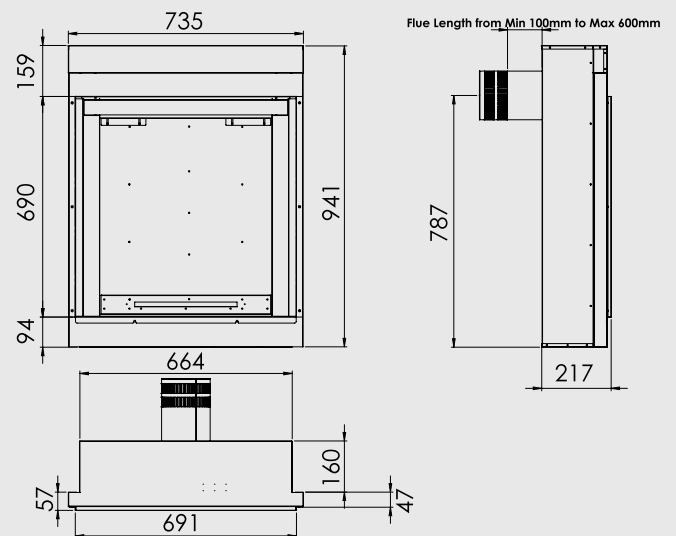
P8 Series with slip fixing bracket



P9 Series assembly drawing



P9 BF Series (Balance Flue)



Heat Inputs, Outputs and Efficiency

Model	high	Input		Net Efficiency (%)	Output (upto)	
		NG (kW)	LPG (kW)		NG (kW)	LPG (kW)
Focus HE Slimline	H	4.2	N/A	77	3.0	N/A
Focus HE	H	5.5	5.1	82	4.4	4.0
Focus HE 18"	H	5.7	N/A	82	4.2	N/A
Focus RS Plus *	H	5.4	4.9	85	4.3	3.9
Focus RS Plus 18" *	H	5.2	N/A	85	3.9	N/A
P4 Series **	H	5.5	N/A	82	4.05	N/A
P4 Series †	H	5.5	N/A	82	4.05	N/A
P7 Series **	H	7.0	N/A	67	4.2	N/A
P8 Series **	H	6.6	N/A	81	4.8	N/A
P8 Series †	H	6.6	N/A	81	4.8	N/A
P9 Series	H	7.6	N/A	81	5.6	N/A
P9 BF Series	H	4.0	N/A	87.5	3.6	N/A

Measurements All dimensions in mm

		A	B	C	D	E			
Max opening width	Min opening width	440	360	575	547	140	630	100	50
Max opening height	Min opening height	456	400	580	560	320	730	100	150
Min opening depth	Min height for combustible shelf	500	455	580	560	320	730	100	150
Min hearth depth	Min height from floor for no hearth	440	405	585	553	185	740	100	150
		500	460	585	553	185	730	100	150
		565	460	595	570	330	800	N/A	N/A
		675	615	620	620	350	800	N/A	N/A
		810	770	410	395	330	N/A	N/A	N/A
		890	790	635	610	330	800	N/A	N/A
		980	940	635	610	350	800	N/A	N/A
		670	600	850	810	330	800	N/A	N/A
		700	670	N/A	950	170	800	N/A	N/A

Our conventional flued fires are all tested to BS7977-1 2009 + A1 2013. This is the current standard at time of print.

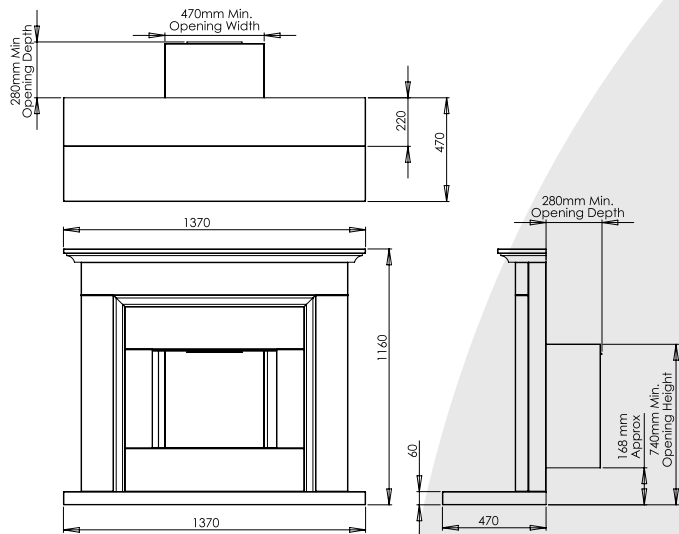
* These fires are tested to EN613 -2001 which is the current standard for balanced flue fires at time of print.

** Fireplace & 4-sided frame.

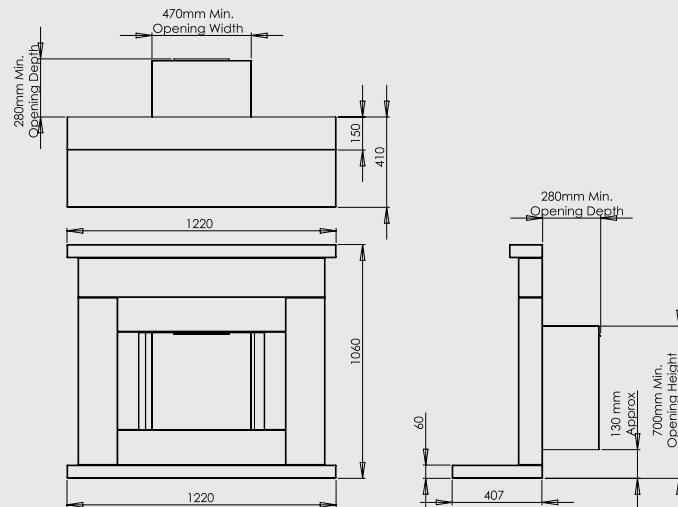
† Marble slips.

P Series Suites

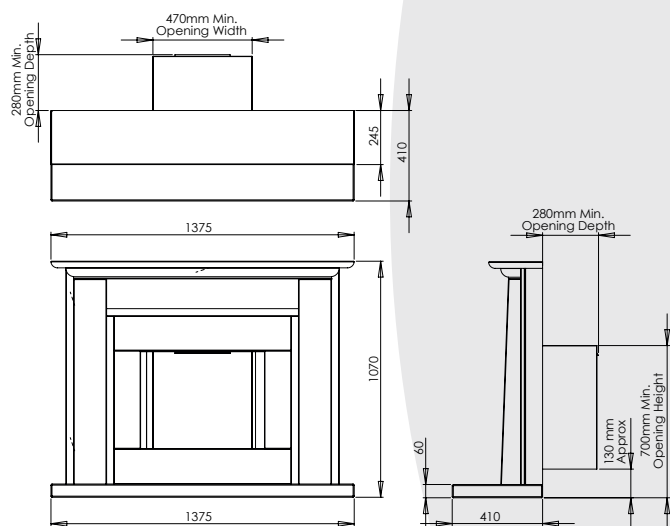
P4 Gas Aylesbury



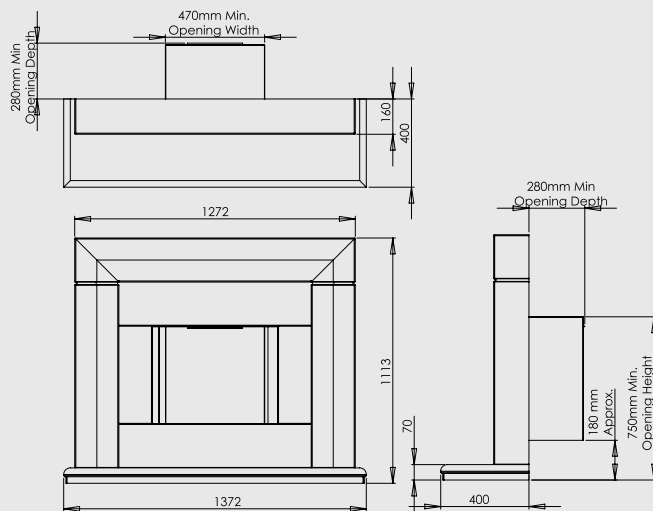
P4 Gas Beckford



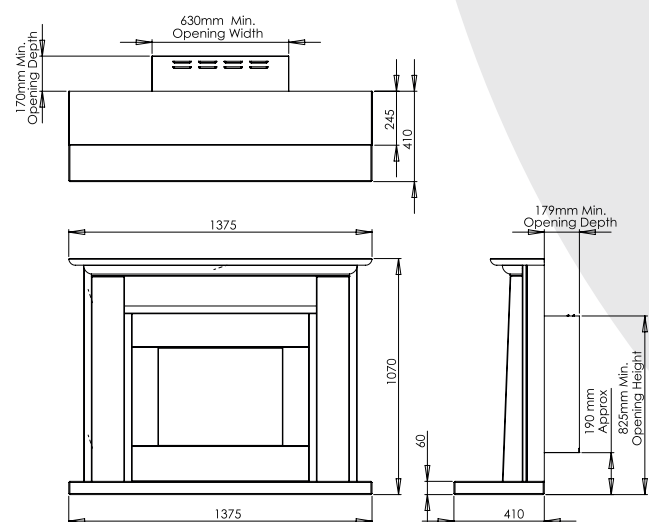
P4 Gas Stokesay



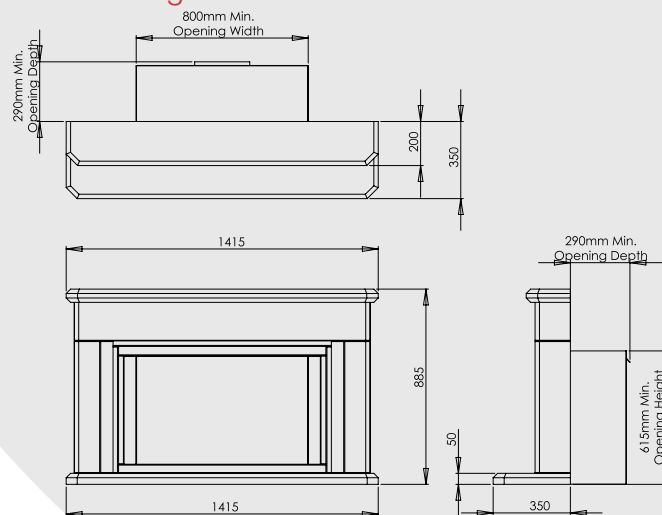
P4 Gas Wave



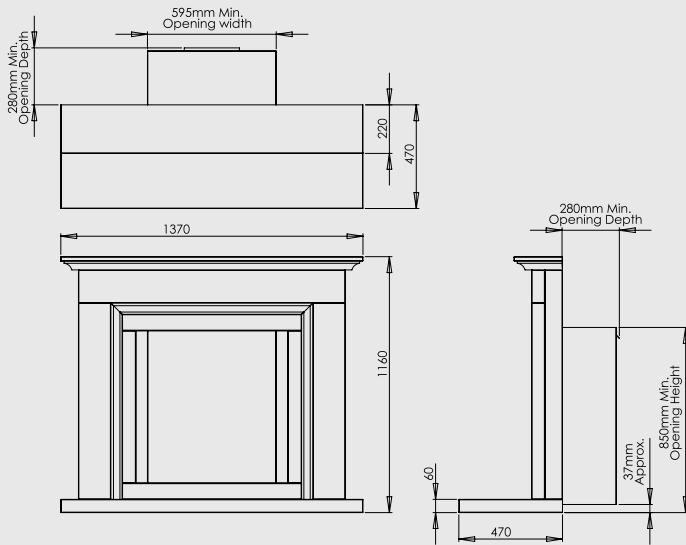
P8 Gas Modern



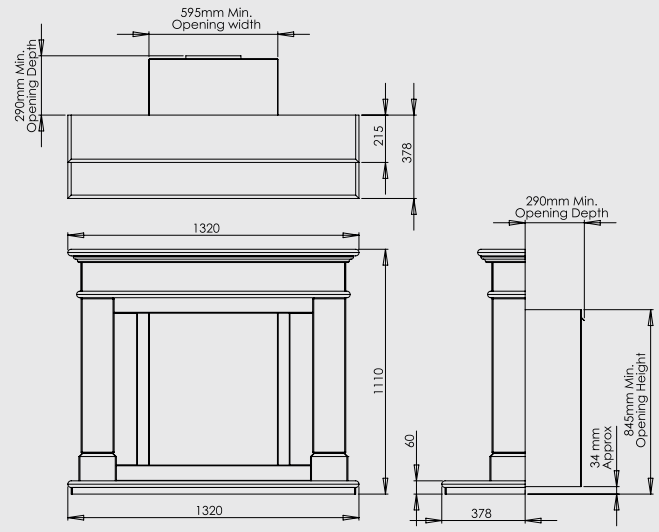
P8 Gas Leighton



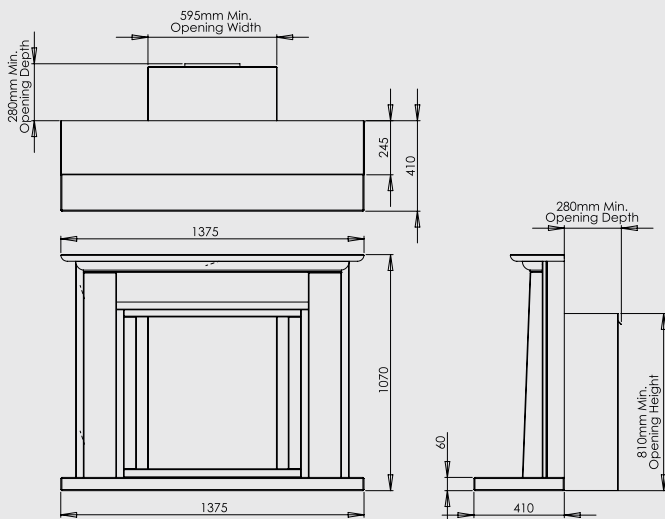
P9 Gas Aylesbury



P9 Gas Balmoral



P9 Gas Stokesay



P9 Series Suites



P9 in Aylesbury Suite



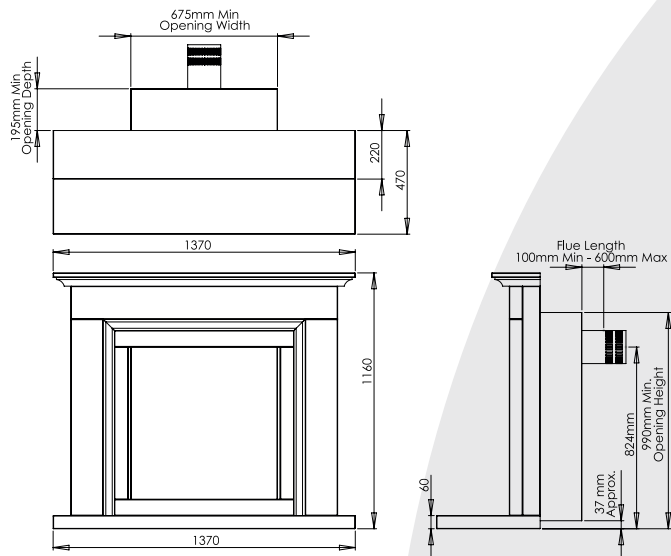
P9 in Balmoral Suite



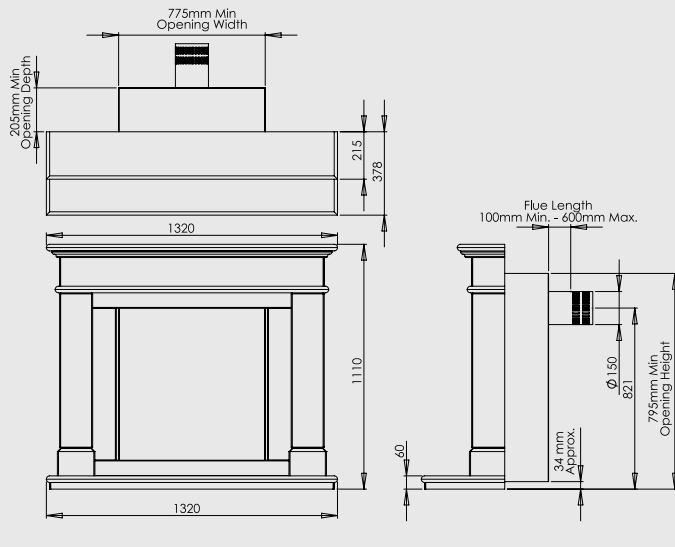
P9 in Stokesay Suite

P Series Suites

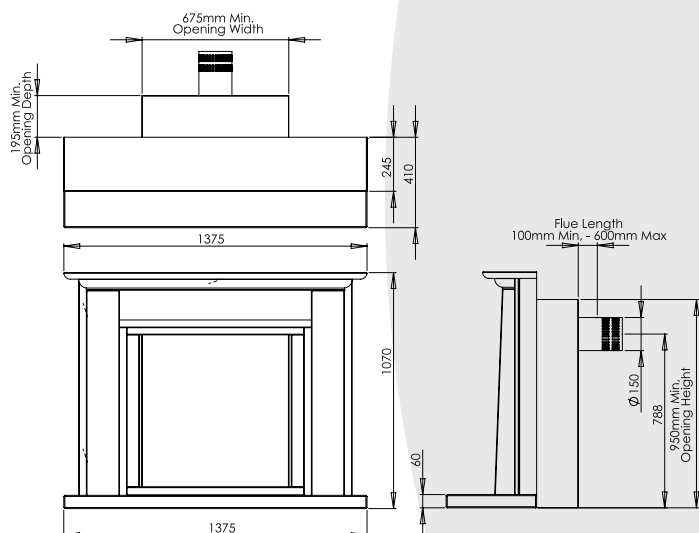
P9 BF Gas Aylesbury



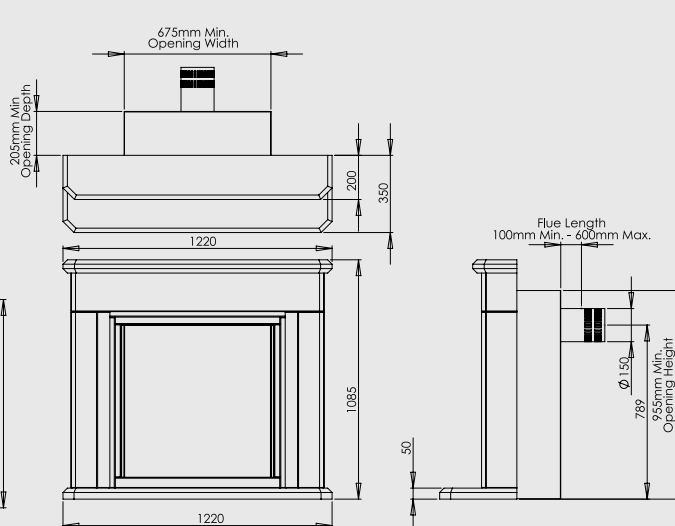
P9 BF Gas Balmoral



P9 BF Gas Stokesay



P9 BF Gas Leighton



P9 BF Series Suites

P9 BF Leighton suite is shown on page ??



P9 BF in Aylesbury Suite



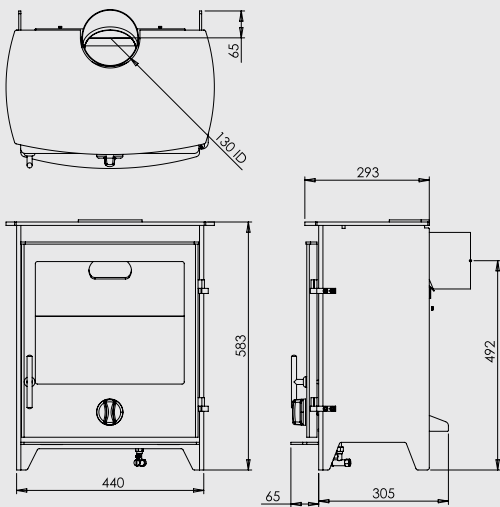
P9 BF in Balmoral Suite



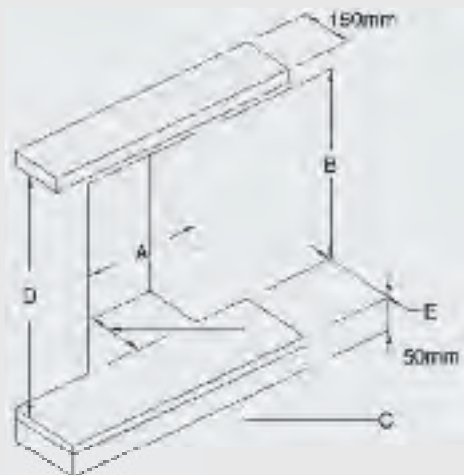
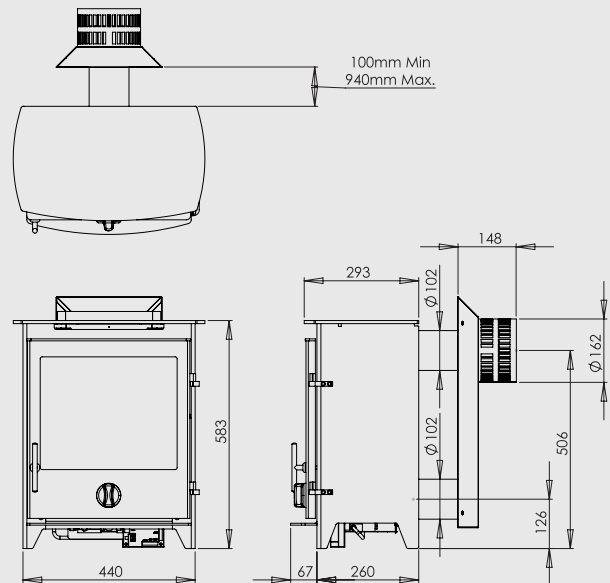
P9 BF Stokesay suite

Paragon Gas Stoves

Paragon CF Gas Stove



Paragon BF Gas Stove



Heat Inputs, Outputs and Efficiency

Model	high	Input		Net Efficiency (%)	Output (upto)	
		NG (kW)	LPG (kW)		NG (kW)	LPG (kW)
CF Gas Stove	H	5.5	5.0	78	3.6	3.6
BF Gas Stove	H	5.4	4.9	88	4.35	3.9

Measurements All dimensions in mm

	A	B	C	D	E	
Max opening width						
Min opening width	590					
Max opening height		635				
Min opening height		635*				
Min opening depth			740			
Min height for combustible shelf				405		
Min hearth depth					360	
Min height from floor for no hearth						N/A

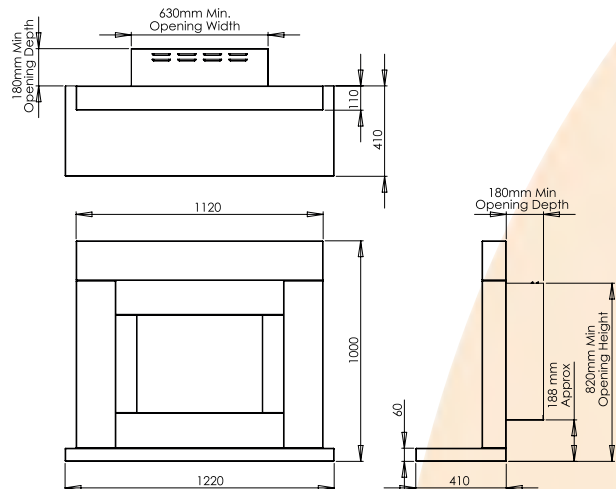
* to non-combustible materials i.e marble chamber

All Paragon gas fires are manufactured under a BS EN ISO 9001 quality system (registration number 5195), which covers all areas of product design, development, manufacture and service.

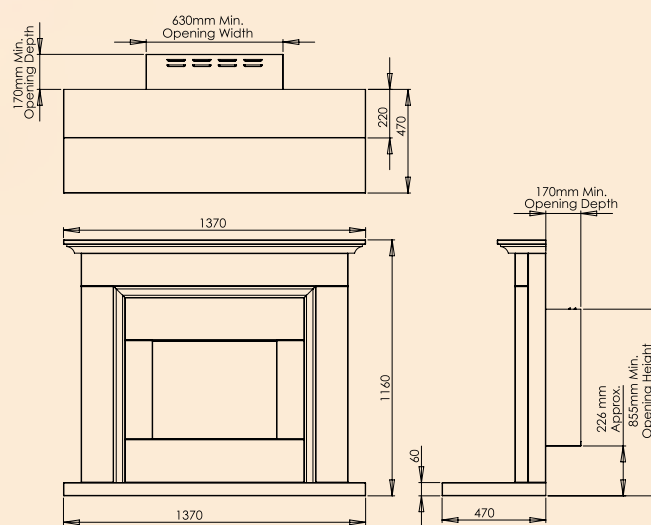


Paragon Electric Suites

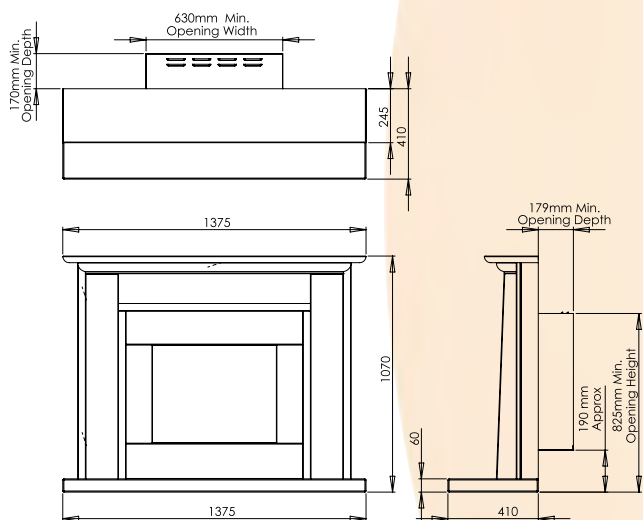
P4 Electric Beckford



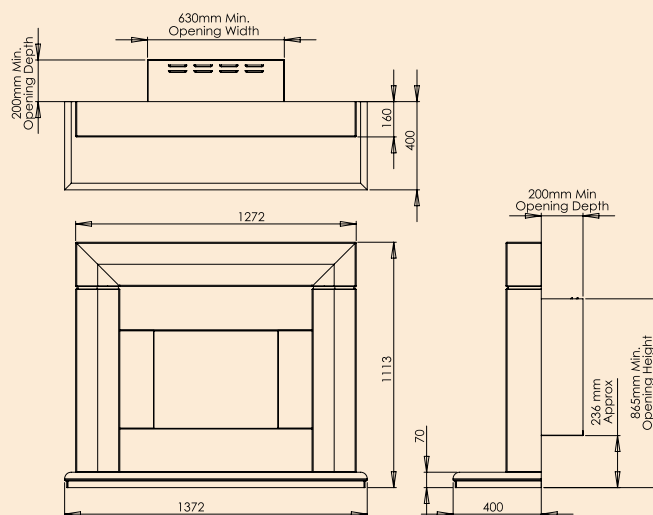
P4 Electric Aylesbury



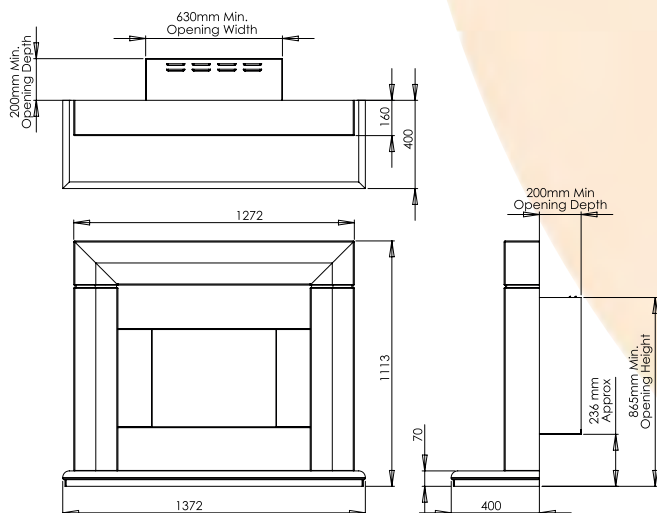
P4 Electric Stokesay



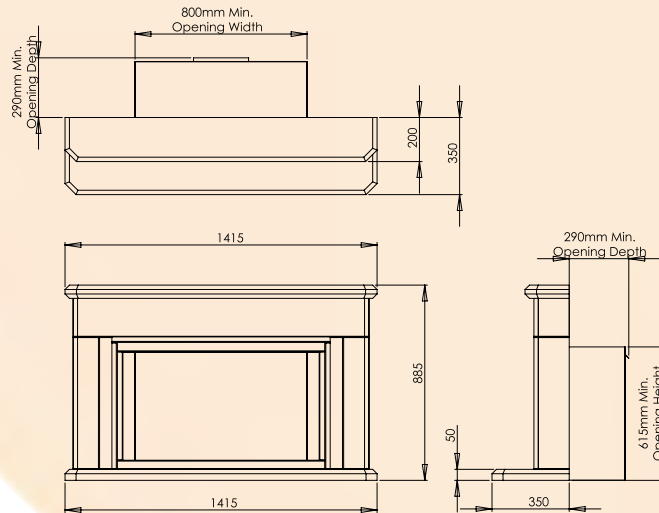
P4 Electric Wave



P8 Electric Leighton

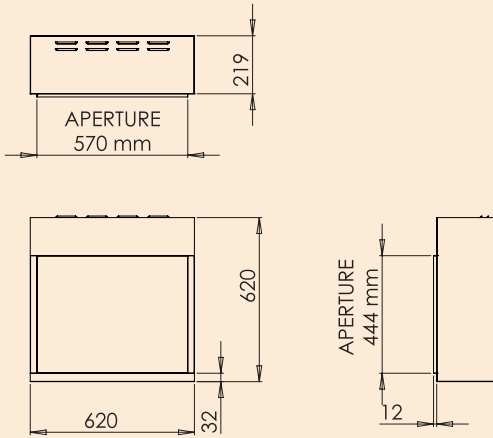


P8 Electric Modern

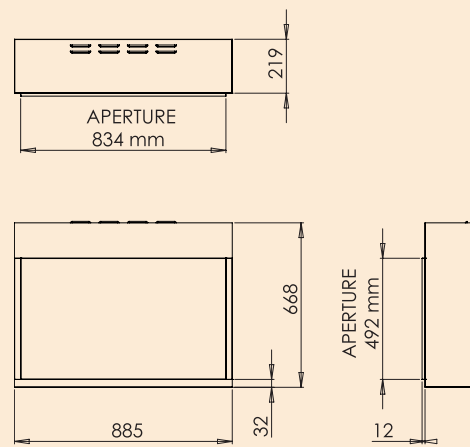


Paragon Electric Fires/Stove

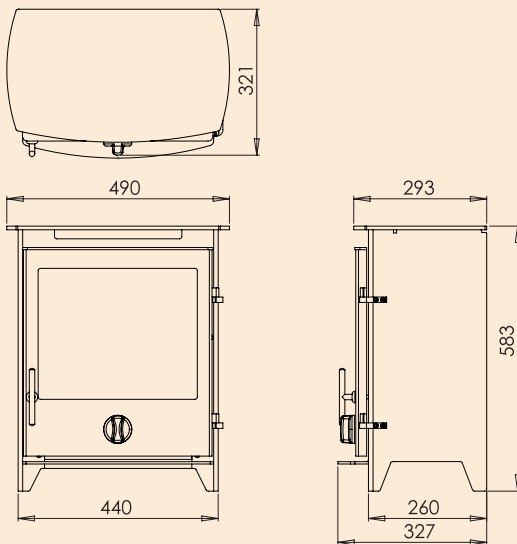
P4 Electric



P8 Electric

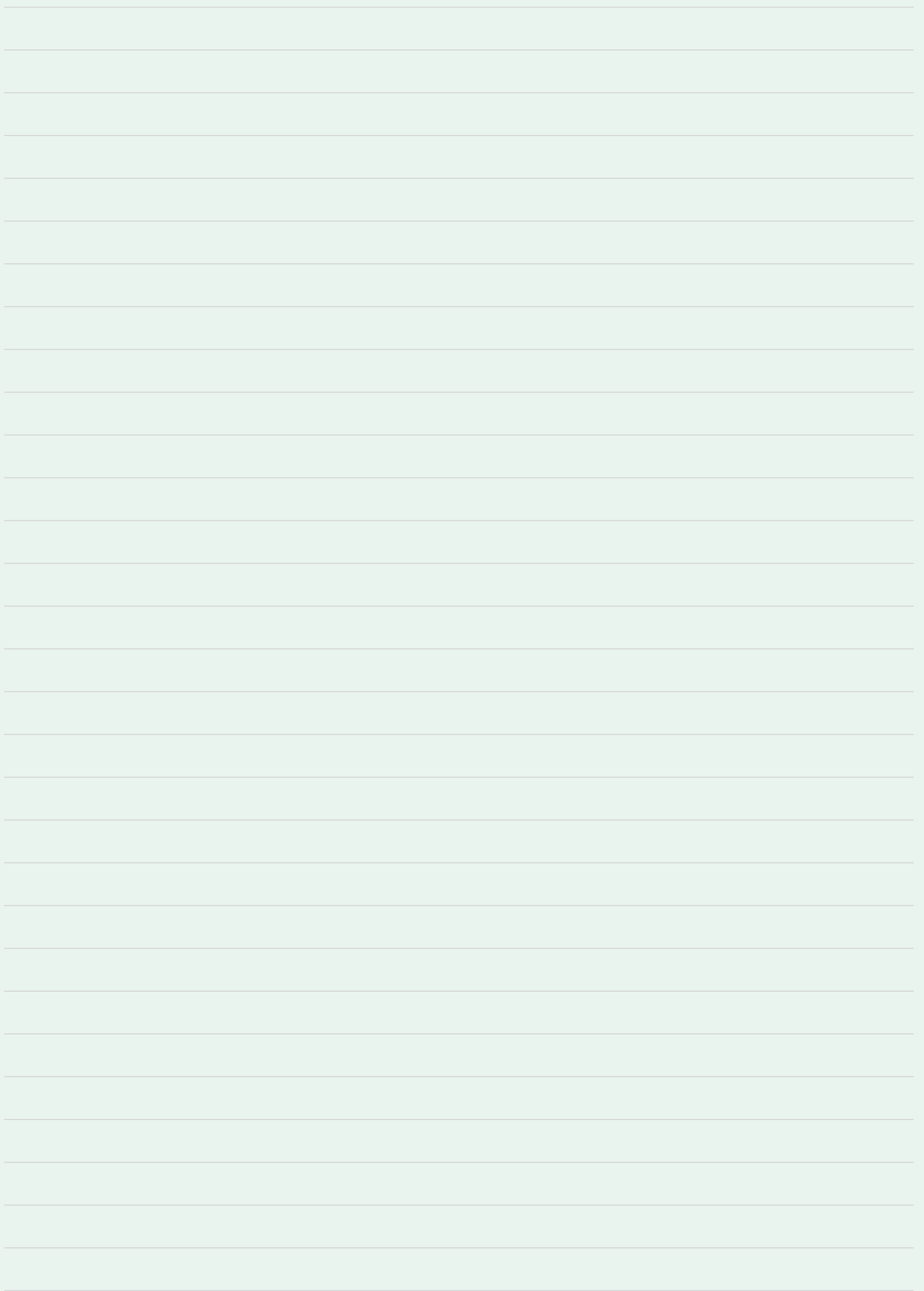


Paragon Electric Stove



Please note: Our policy is one of constant development and improvement. Paragon Fires therefore reserves the right to revise the specification and design of its fires without formal notice. This leaflet is presented as a guide to aid in your decision and does not replace the need for technical assessment by your dealer. Whilst the utmost care is taken in preparation of this leaflet, it is not intended to replace the installation manual which provides more detailed information. Photography is for illustration purposes only and does not replace the need to see the fire in a showroom. We accept no liability for any loss or damage arising either directly or indirectly from the use of this leaflet.







A Great British Product

Paragon Fires

Charlton & Jenrick Ltd,

Unit D, Stafford Park 2, Telford, Shropshire TF3 3AR

Tel: 0845 519 5991 e-mail: sales@charltonandjenrick.co.uk



www.charltonandjenrick.co.uk



@cJfires



www.facebook.com/cJfires

Charlton & Jenrick^{LTD}

Best of British fires, fireplaces & stoves